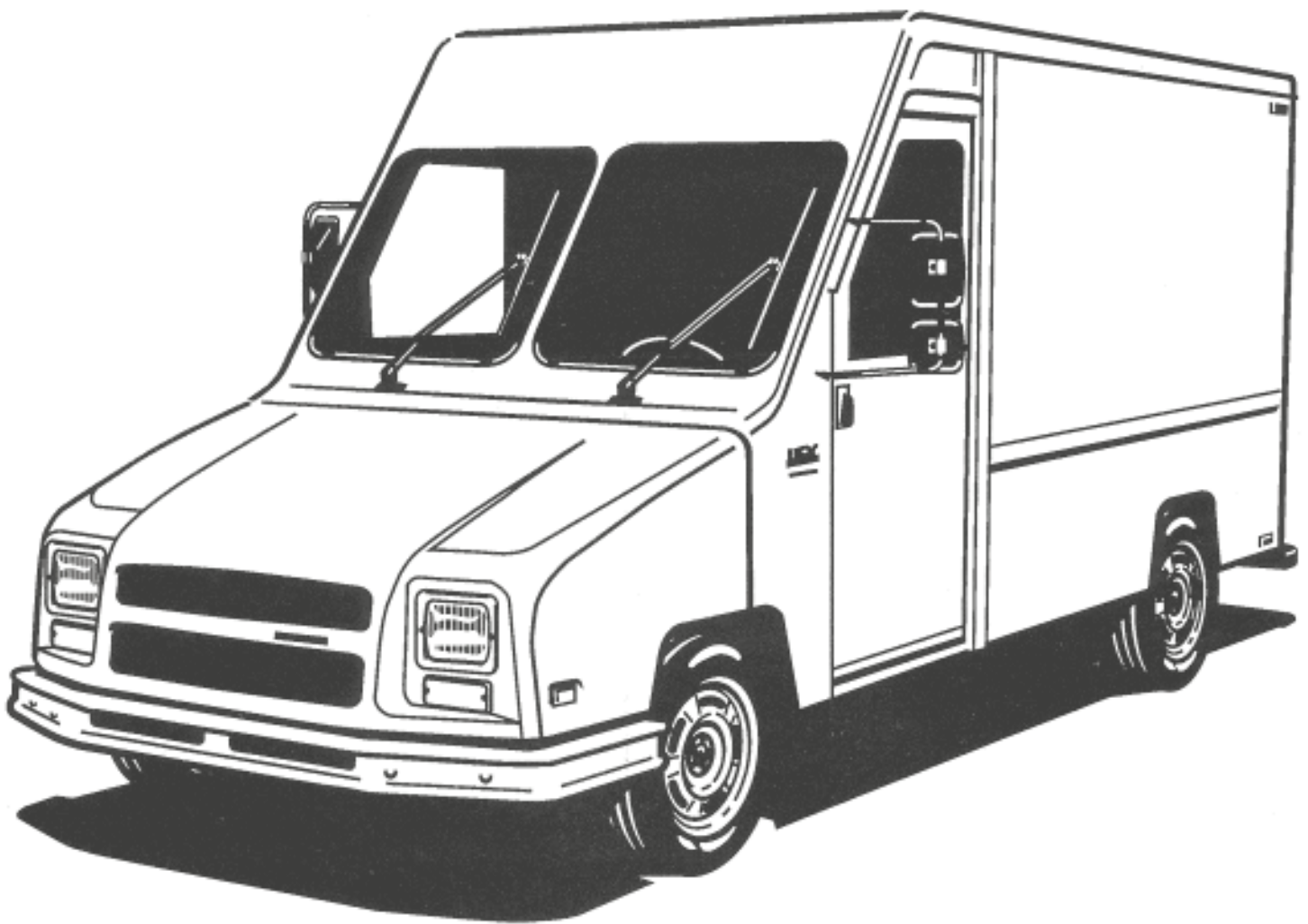


# AEROMATE

## Parts Manual 1989 - 1992



## IMPORTANT NOTE:

This file was optically scanned from a paper copy of this manual that is now out of print.

This information has not been updated since 1992.

Numerous part numbers in this manual are obsolete. For better service when ordering parts, be sure to specify the VIN or Body Serial Number as well as the ITEM NUMBERS and DESCRIPTIONS of the parts in the manual.

Note also that Utilimaster's area code has changed from 219 to 574.

# INTRODUCTION

UTILIMASTER MOTOR CORPORATION is pleased to present to you our Parts Manual for the Aeromate Walk-in Series Delivery Van. It contains exploded-view drawings and parts lists, which should significantly aid in ordering replacement parts. This Manual covers all assemblies manufactured by and/or installed by Utilimaster Motor Corporation.

All information, specifications, and illustrations contained in this manual are based on the latest product information available at the time of publication. UTILIMASTER MOTOR CORPORATION reserves the right to change specifications without notice.

UTILIMASTER MOTOR CORPORATION claims proprietary rights to the material disclosed herein. Neither this manual nor any portion thereof, may be reproduced without express written permission from the UTILIMASTER MOTOR CORPORATION.

Utilimaster Motor Corporation  
Customer Service  
65266 State Road 19  
P.O. Box 585  
Wakarusa, Indiana 46573

## HOW TO ORDER REPLACEMENT PARTS

This parts manual contains exploded-view drawings and parts lists for all standard and the most popular optional factory parts.

The drawings illustrate the various parts and their locations. The accompanying parts list identifies each part with a part number and description.

The drawings have been numbered using both UTILIMASTER MOTOR CORPORATION numbers which are eight digits in length and appear in normal type and Chrysler Corporation part numbers, which are seven digits in length, appear in **BOLD type**. Chrysler parts can be ordered from your Chrysler dealer or through Utilimaster Corporation. Utilimaster Corporation parts can be ordered from Utilimaster Corporation.

This Parts Manual uses a part breakdown for each assembly. If a further breakdown is not indicated, then individual parts from that assembly are not available.

To identify factory manufactured parts or Chrysler supplied parts use the following procedure:

- 1) Locate the section being serviced in the table of contents (page IV) and turn to that section in this parts book.
- 2) Locate the desired part on the drawing and cross reference that part to the parts list. This will give specific information as to part name and number. In some cases the part number is omitted because it only is available as part of another assembly.

*When ordering these parts indicate the part name, quantity, model year and vehicle serial number.*

Parts orders directed to UTILIMASTER MOTOR CORPORATION go to the Utilimaster Corporation Parts Department. The address and telephone number is as follows:

Utilimaster Motor Corporation  
65266 State Road 19  
P.O. Box 585  
Wakarusa, Indiana 46573  
(219) 862-2143  
1-800-237-7806  
Fax: (219) 862-3970

**NOTE: Utilimaster's area code has changed from 219 to 574. You can also email Customer Service at [CustSvc@utilimaster.com](mailto:CustSvc@utilimaster.com).**

When ordering parts, *always* specify the vehicle serial number. On the Aeromate Walk-In Series truck, this number may be found on the vehicle identification tag on the left, top side of the dash board.

All parts are shipped freight collect unless otherwise specified.

To return Utilimaster Motor Corporation parts for credit, call the Customer Service Department for prior authorization. All returns must be shipped freight prepaid. A restocking fee will be charged for all returns.

Special order parts are not returnable.

There are some assemblies that have special features fabricated to customers specifications. These features may not be covered in this Manual because of their custom nature. A competent local body shop can make many of these repairs using parts provided by UTILIMASTER MOTOR CORPORATION.

# TABLE OF CONTENTS

Introduction.....	I
How To Order Replacement Parts .....	II
Engine & Body VIN Number Breakdowns .....	VI

<b>Section</b>	<b>Description .....</b>	<b>Page</b>
<b>1</b>	<b>Frame and Chassis</b>	
	1.1 Frame & Chassis .....	1-1
	1.2 Motor Mounts .....	1-4
<b>2</b>	<b>Drive Train</b>	
	2.1 Drive Train.....	2-1
	2.2 Shaft, Front Drive.....	2-3
<b>3</b>	<b>Brakes</b>	
	3.1 Power Brake Assembly.....	3-1
	3.2 Brakes, Rear .....	3-3
	3.3 Brake, Parking .....	3-5
<b>4</b>	<b>Rear Axle Assembly</b>	
	4.1 Rear Axle .....	4-1
<b>5</b>	<b>Electrical</b>	
	5.1 Wiring Harnesses .....	5-1
<b>6</b>	<b>Steering</b>	
	6.1 K-Member .....	6-1
	6.2 Steering Gear, Rack & Pinion Assembly .....	6-3
	6.3 Steering Mounting Assembly.....	6-5
	6.4 Steering Column Assembly '89 - '90 .....	6-8
	6.5 Steering Column Assembly '91 - '92 .....	6-11
	6.6 Steering Wheels.....	6-13
<b>7</b>	<b>Cooling</b>	
	7.1 Engine Cooling System .....	7-1
<b>8</b>	<b>Fuel</b>	
	8.1 Fuel System .....	8-1
<b>9</b>	<b>Exhaust</b>	
	9.1 Exhaust System .....	9-1
<b>10</b>	<b>Wiper Assembly</b>	
	10.1 Windshield Wiper Assembly .....	10-1
<b>11</b>	<b>Floor Assembly</b>	
	11.1 Floor Assembly - Sedan Door .....	11-1
	11.2 Floor Assembly - Sliding Door.....	11-2

# TABLE OF CONTENTS - Continued

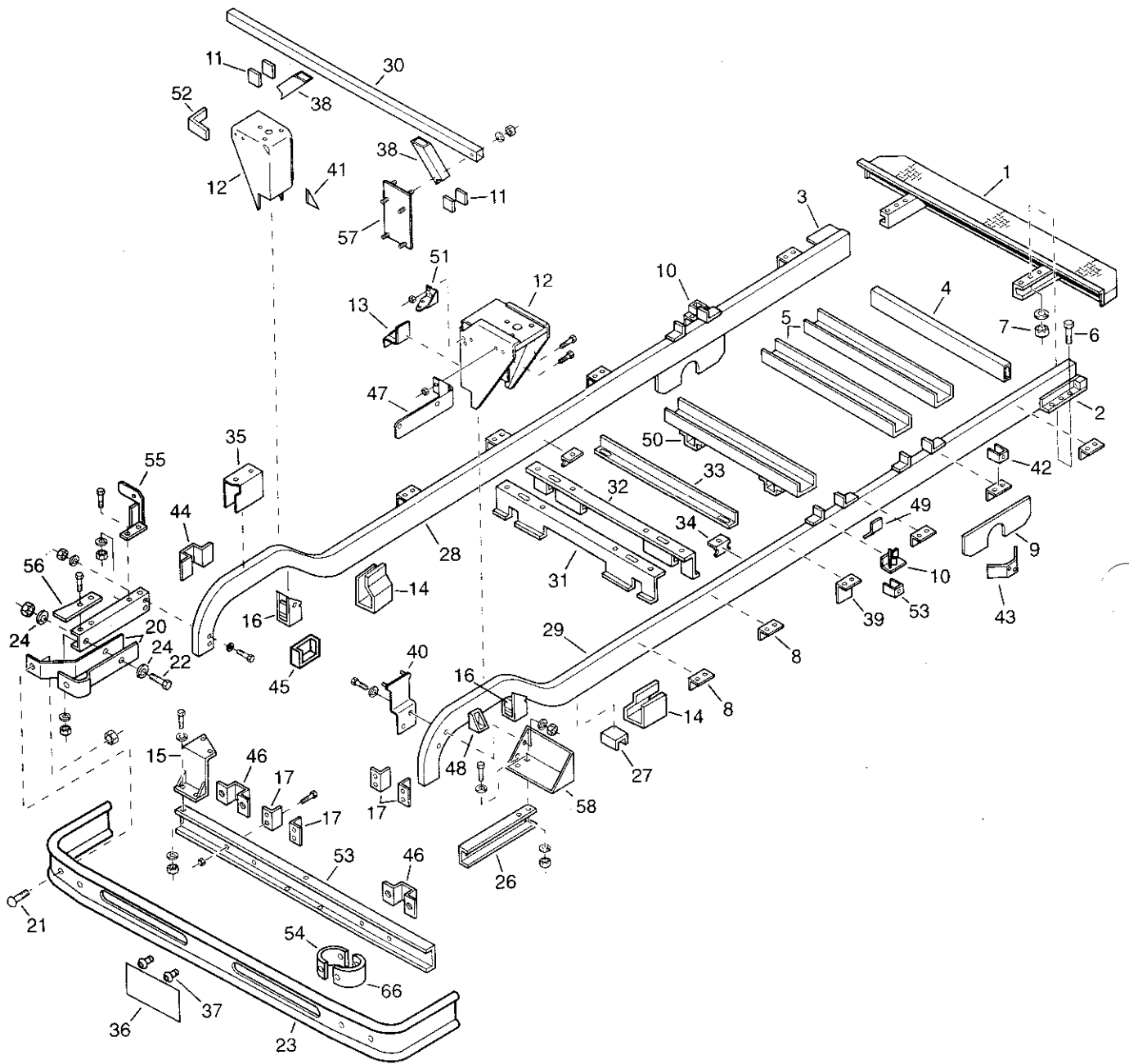
Section	Description .....	Page
<b>12</b>	<b>Sidewall, Roof, Rear Wall &amp; Windshield</b>	
12.1	Sidewall - Sedan Door .....	12-1
12.2	Roof .....	12-4
12.3	Front Windshield .....	12-6
12.4	Sidewall - Sliding Door .....	12-8
12.5	Rear Wall - Swing Door .....	12-10
<b>13</b>	<b>Hood &amp; Firewall</b>	
13.1	Hood, Firewall & Framework - '88-'2/6/90 .....	13-1
13.2	Hood, Firewall & Framework - 2/6/90-'91 .....	13-3
13.3	Hood, Firewall & Framework - '91-'92 .....	13-5
<b>14</b>	<b>Doors</b>	
14.1	Door, Sliding .....	14-1
14.2	Door, Sedan - '88-'90 .....	14-4
14.3	Door, Sedan - '91 - Contact Door Manufacturer .....	NA
14.4	Door, Rear Swing .....	14-7
14.5	Door, Roll-up .....	14-9
14.6	Wall, Bulkhead .....	14-11
14.7	Door, Bulkhead .....	14-13
<b>15</b>	<b>Heater &amp; Dash</b>	
15.1	Heater Assembly '88 - '90 - 4 Cylinder .....	15-1
15.2	Heater Assembly '90 - 92 - 4 & 6 Cylinder .....	15-3
15.3	Dash Board Assembly .....	15-5
<b>16</b>	<b>Seating</b>	
16.1	Seat & Pedestal Assembly .....	16-1
16.2	Seat, Jump .....	16-3
<b>17</b>	<b>Options</b>	
17.2	Spare Tire Kit .....	17-1
17.1	Shelving Assembly, Cargo .....	17-3

*Refer to Chrysler S-Body Parts Manual for additional information.*

# Aeromate Body/Engine Breakdown

Model Year Breakdown Per Vin Number

<i>Model Year</i>	<i>Body VIN Numbers</i>	<i>Engine VIN Numbers</i>
1988	4688 to 6017	VIN's before 507 have 1988 engine (4 Cylinder only)
1989	100 to 743	507 to 1022 have 1989 engine (4 Cylinder only)
1990	800 to 1266	1022 to 1299 have 1990 engines (4 Cylinder only)  1300 to 1775 have 1990 V-6 engines
1991	1300 to 2262	1776 to 2833 have 1991 V-6 engines
1992	2400 and up	2834 and up have 1992 V-6 engines



Frame & Chassis Assembly



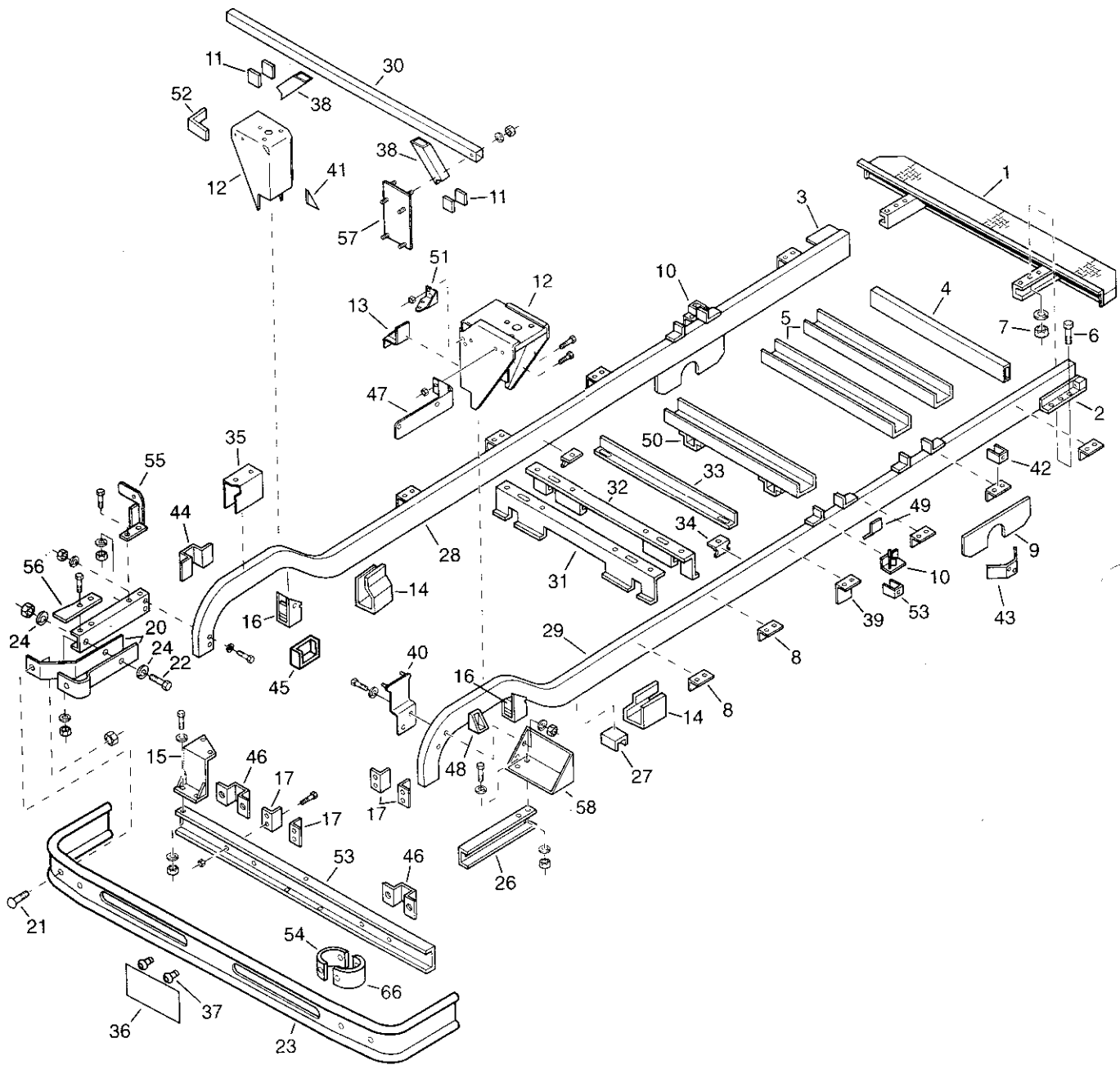
# Aeromate Walk-In Van

Utilimaster Motor Corporation

## Section 1.1

### Frame & Chassis

Item	1989-1990	1991-1992	Description
1	01102845	01102845	Bumper, Rear Step
2	01102847	01102847	Angle, Bumper Mounting Left Side
3	01102848	01102848	Angle, Bumper Mounting Right Side
4	01100511	01100511	Crossmember, Rear
5	22400021	22400021	Crossmember, Channel 35 1/2"
6	11005939	11005939	Bolt, 1/2-13 X 1 1/2" Gr. 5
7	11002903	11002903	Nut, 1/2-13 Nylock
8	01100515	01100515	Angle, Mounting
9	01100533	01109405	Plate, Axle Mounting Rear
10	01100525	01100525	Bracket, Rear Parking Brake Right Hand
10	01100526	01100526	Bracket, Rear Parking Brake Left Hand
11	01100513	01100513	Plate, Firewall Tube Mounting
12	51252025	51252025	Strut Tower Left Hand
12	51252026	01100137	Strut Tower Right Hand
13	01100538	01109501	Mount, Engine Left Hand
14	01600270	01600270	Bracket, Front Suspension Mounting Right
14	01600274	01600274	Bracket, Front Suspension Mounting Left
15	01100304	01100304	Bracket, Vapor Canister
16	01600271	01600271	Bracket, Suspension Mounting Left & Right
17	01100509	22600027	Angle, Frame Front Channel
18	11008153	11008153	Washer, Flat 5/16 (Not Shown)
19	11006954	11006954	Nut, Nylock 5/16-18 (Not Shown)
20	NA	01100136	Mount, Front Bumper Inner
20	NA	01100135	Mount, Front Bumper 1992
21	11004317	11004317	Bolt, Carriage 1/2-13 X 1" Gr 5
22	11005929	11005929	Bolt, 1/2-13 X 1 Gr 5 HHCS (Not Shown)
23	01100092	01100133	Bumper, Front
24	11008160	11008160	Washer, Flat 1/2 (Not Shown)
25	11004440	11004440	Bolt, 3/8-16 X 1" Gr 5 (Not Shown)
26	NA	01100004	Bumper Bracket Channel - Left
26	NA	01100134	Bumper Bracket Channel - Right
27	22100304	22100304	Catch, Tire Jack
28	01100580	01100580	Rail, Chassis Frame Right
29	01100571	01100571	Rail, Chassis Frame Left
30	22200013	22200013	Tube, Firewall 2 X 2 X 39.5
31	22100079	22152959	Bracket, Seat Pedestal Front
32	22100078	22150095	Bracket, Seat Pedestal Rear
33	01100522	01100522	Bracket, Muffler Hanger
34	01100521	01100521	Angle, Muffler Hanger Bracket
35	01100537	01109500	Mount, Engine Right Hand
36	22100087	22100087	Bracket Front License Plate
37	11001101	11001101	Nut, Moly Jack 1/4-20
38	22200014	22200014	Gusset Strut Tower/Firewall
39	22100091	22100091	Mounting, Angle
40	01100540		Bracket, Radiator Bottle
41	01100562	01100562	Gusset, Frame Strut
42	22100314	22100314	Bracket, Tail Piper Hanger
43	22001009	22001009	Bracket, Proportioning Valve -Not Shown
44		01100581	Filler #1, Frame
45		01100582	Filler #2, Frame
46	22101112	22101112	Bracket, Inner Fender Attachment-Not Shown
47	22100675	22100378	Bracket, Engine Module
48	01600263	01600263	Bracket, Front Brake Hose



Frame & Chassis Assembly

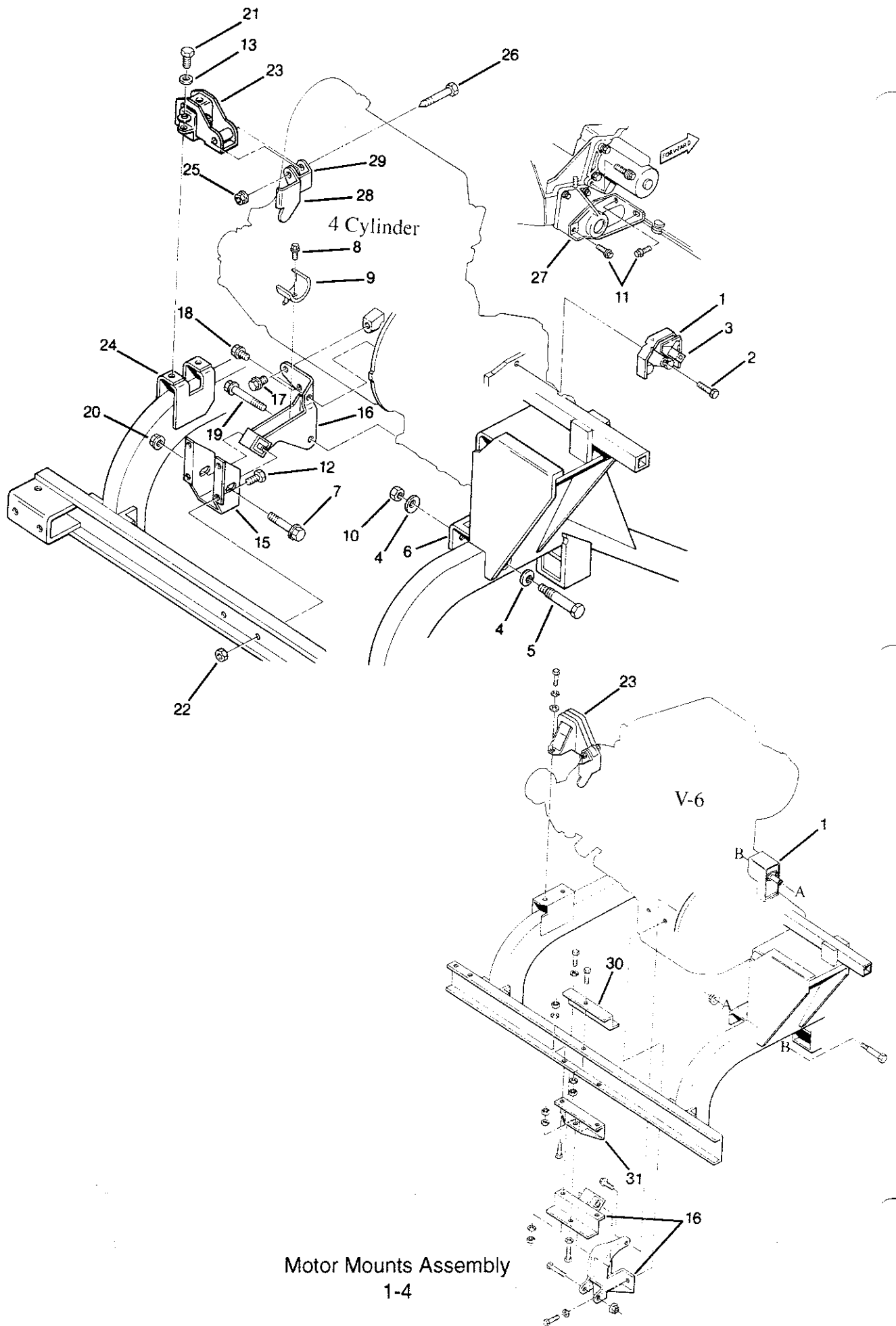
# Aeromate Walk-In Van

Utilimaster Motor Corporation

## Section 1.1

### Frame & Chassis

Item	1989-1990	1991-1992	Description
49	01401005	01401005	Bracket, Fuel Tank Mounting
50	01401003	01401003	Bracket, Fuel Tank Mounting
51		22100690	Bracket, Air Cleaner (V-6)
52		22100691	Bracket, Transmission Module (V-6)
53	01100128	01100128	Channel, Front Engine Mount
54	01103225		Bracket, Front Bumper
55		01100129	Bracket, Purge Solenoid (V-6)
56		22000024	Bracket, Hood Bumper
57		22100379	Bracket, Windshield Washer Bottle
58	15300352	15300364	Box, Battery



Motor Mounts Assembly  
 1-4

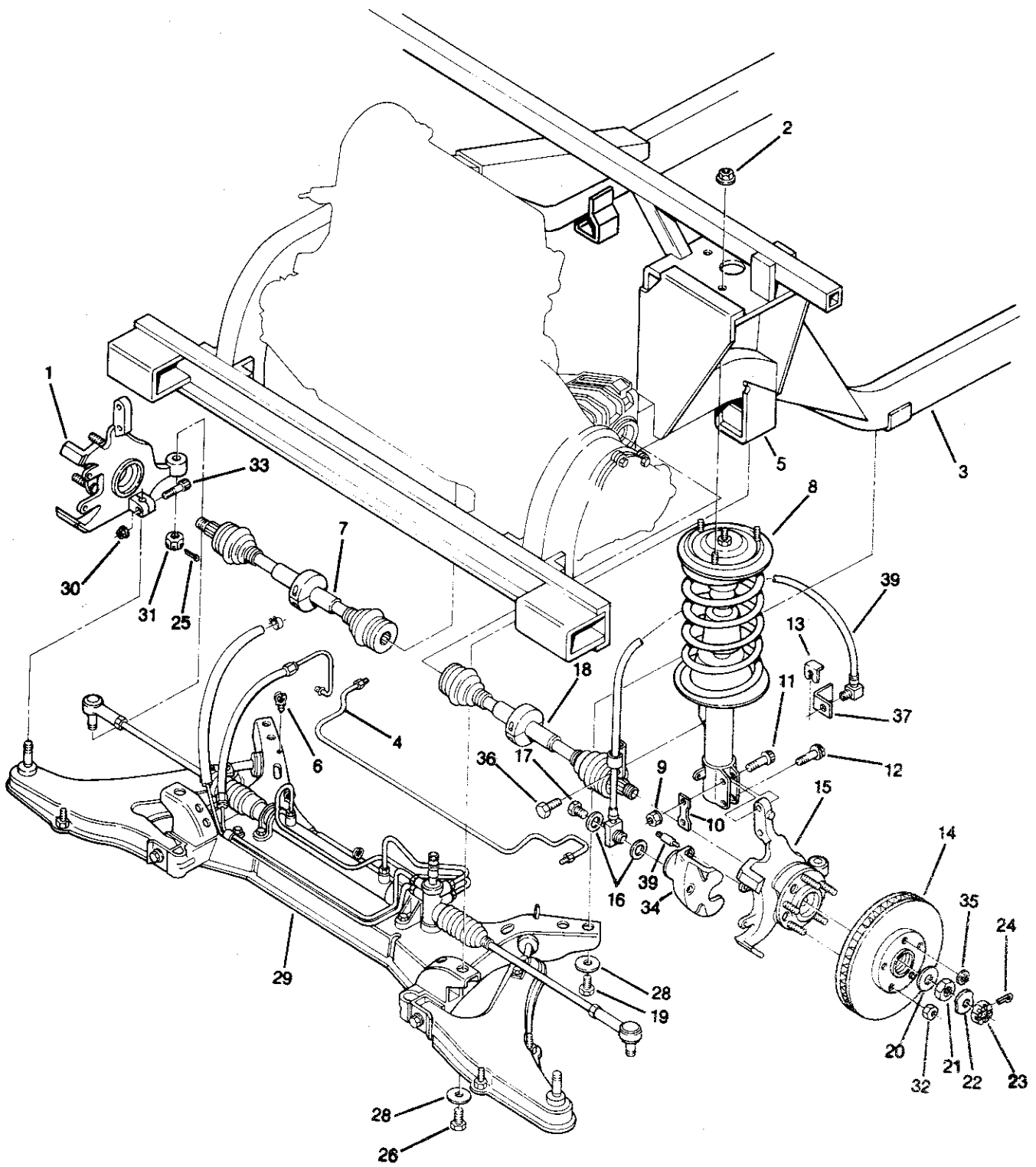
# Aeromate Walk-In Van

Utilimaster Motor Corporation

## Section 1.2

Motor Mounts - *Refer to Chrysler S-Body Manual*

Item	1989-1990	1991-1992	Description
1	<b>4295255</b> <b>4446019</b> <b>4446018</b>		Support, Engine Left with Automatic Transmission Support, Engine Left with Automatic Transmission-LT Support, Engine Left with Manual & Automatic Trans.-RT
2	<b>6500495</b>		Screw and Washer
3	<b>4295237</b>		Bushing, Engine Support Insulator - LT
4	11008164	11008164	Washer, Conical (Belvedere)
5	11004324	11000037	Bolt, 1/2 - 13X5 Gr 8 HHCS
6	01101768	01109501	Mount, Left Side Engine
7	<b>6501751</b>		Bolt, Isolator to Frame Bracket
8	<b>6031012</b>	11306024	Screw w/Washer
9	<b>4401184</b>	08707404	Clip, Radiator Outlet Hose
10	11002901	11002900	Nut, Nylock 1/2-13
11	<b>6501163</b>	01101769	Screw, Strut to Transaxle
12	11005903	11005397	Bolt, 1/2 - 13 X 1 1/2" Gr 5 HHCS
13	11008150	11005295	Washer, Lock 5/16"
14	11008148	11008158	Washer, Flat 5/16"
15	<b>4386342</b>	<b>4537072</b>	Bracket, Front Crossmember Engine Mounting
16	<b>4348327</b>	<b>4471315</b>	Insulator, Engine Support Front
17	<b>6501163</b>	01101769	Screw and Washer (To Block)
18	<b>6501162</b>	01101937	Screw and Washer (To Engine )
19	<b>4271953</b>	01101937	Screw and Washer
20	<b>6100053</b>		Washer and Nut
21	11004468	11005304	Bolt, 5/16-18 X 1" Gr HHCS
22	11002901	11002900	Nut, 1/2 - 13 Nylock
23	<b>4295260</b>		Bushing, Engine Support Insulator Right
24	01100537	01109500	Mount, Right Engine
25	<b>6501247</b>		Nut and Washer
26	<b>6501076</b>		Bolt
27	<b>5224214</b>		Strut, Transaxle To Block (Not Shown)
28	<b>4323642</b>		Strut, Right Engine Mount
29	<b>4343753</b>		Bracket, Engine Mount Right
30		01104605	Motor Mount, Top Bracket (V6 Only)
31		01109502	Motor Mount, Bottom Bracket (V6 Only)



Drive Train - Chrysler  
2-1

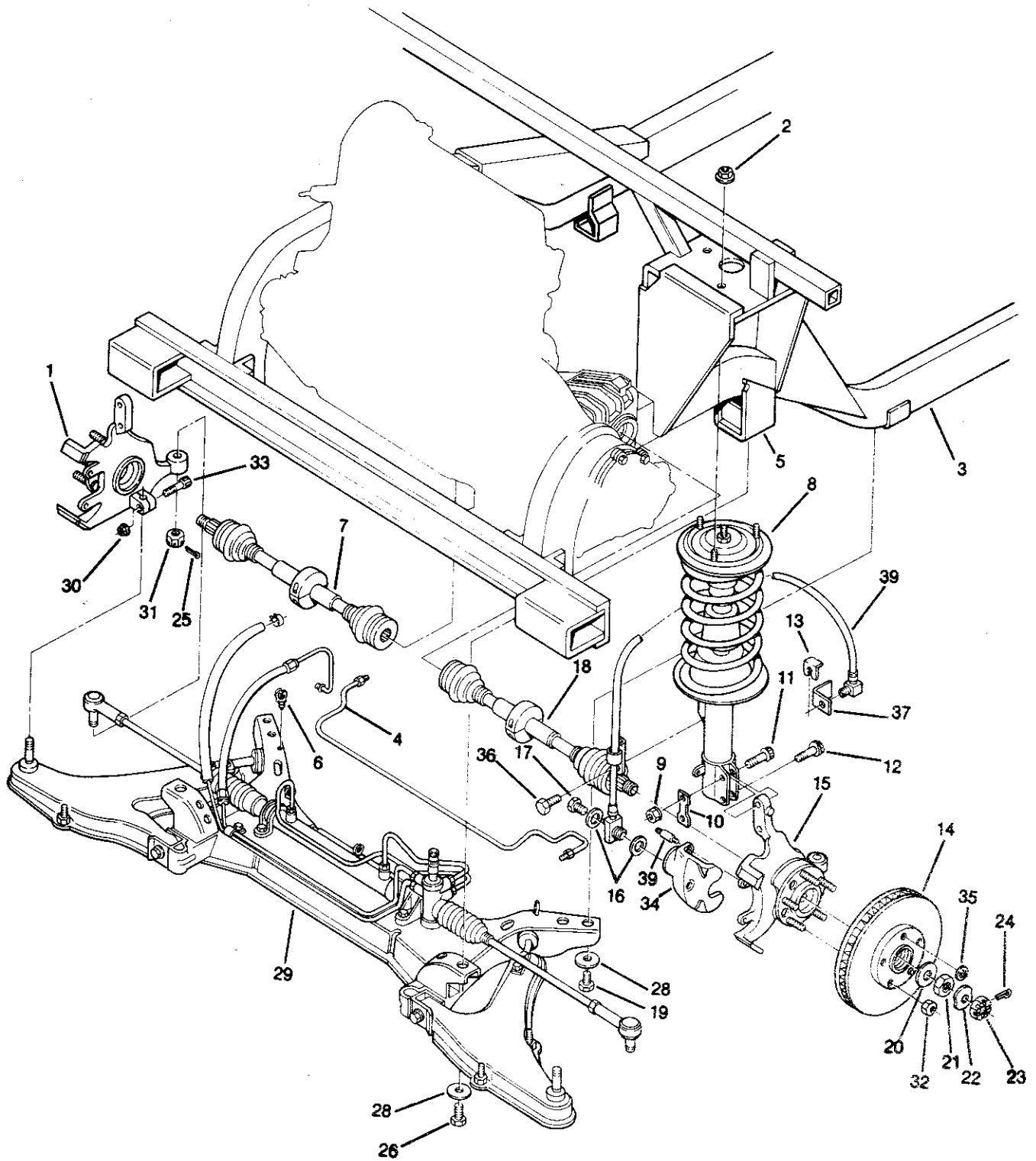
# Aeromate Walk-In Van

Utilimaster Motor Corporation

## Section 2.1

Drive Train - Refer to Chrysler S-Body Manual for additional information

Item	1989-1990	1991-1992	Description
1	<b>4449058</b>	<b>4449444</b>	Knuckle, Steering Right
2	<b>6101446</b>		Nut, Washer Head
3	51252008	51252074	Chassis Frame Assembly
4	01625047	01625047	Line, Brake - Right Front
5	01600271	01600271	Bracket, Front Suspension Mounting
6	01101615	01101615	Clip, Plastic, Brake Line
7	<b>4346872</b>		Driveshaft, Right
7	<b>4384952</b>		Driveshaft, Right ('90 Turbo 4-Cylinder)
7	<b>4384989</b>		Driveshaft, Right ('90 V-6)
7		<b>4511104</b>	Driveshaft, Right ('91 V-6)
7		<b>4511452</b>	Driveshaft, Right ('92 V-6)
8	<b>4322728</b>	<b>4322728</b>	Strut, Damper or Shock Assembly
9	<b>6500593</b>	<b>6500593</b>	Nut, Knuckle To Strut
10	<b>4014444</b>	<b>4014444</b>	Washer, Front Suspension Damper
11	<b>6500615</b>	<b>6500615</b>	Bolt, Strut to Knuckle
12	<b>6500614</b>	<b>6500614</b>	Bolt, Cam - Strut to Knuckle
13	<b>2208893</b>	<b>2208893</b>	Lock, Front Brake Hose
14	<b>4383096</b>	<b>4383096</b>	Disc Brake, Front
15	<b>4449059</b>	<b>4449445</b>	Knuckle, Steering, Left
16	<b>6030084</b>	<b>6030084</b>	Gasket, Banjo Bolt
17	<b>6030230</b>	<b>6030230</b>	Bolt, Banjo
18	<b>4346873</b>		Driveshaft, Left (4-Cylinder)
18	<b>4384985</b>		Driveshaft, Left ('90 Turbo 4-Cylinder)
18	<b>4384985</b>		Driveshaft, Left ('90 V-6)
18		<b>4511103</b>	Driveshaft, Left ('91 V-6)
18		<b>4511437</b>	Driveshaft, Left ('92 V-6)
19	11005930	11005930	Bolt, 1/2-13 UNC Gr 5 X 1 1/2" HHCS
20	<b>6500299</b>	<b>6500299</b>	Washer
21	<b>6500298</b>	<b>6500298</b>	Nut, Hub
22	<b>5212684</b>	<b>5212684</b>	Washer, Hub Wave
23	<b>4293167</b>	<b>4293167</b>	Lock, Hub Nut
24			Pin, Cotter - Lock Nut (Not Serviced)
25	<b>6100024</b>	<b>6100024</b>	Pin, Cotter - Lock (Not Serviced)
26	11005929	11005929	Bolt, 1/2-13 x 1" Gr 5 HHCS
27	11002901	11002901	Nut, K-Member Mounting 1/2-13 (Not Shown)
28	11008160	11008160	Washer, Flat 1/2"
29			K-Member Assembly, Automatic
30	<b>6501247</b>	<b>6501247</b>	Nut, Knuckle to B/Joint
31	<b>6500121</b>	<b>6500121</b>	Nut, Tie Rod End
32	<b>6500294</b>	<b>6500294</b>	Nuts, Wheel
33	<b>6501248</b>	<b>6501248</b>	Bolt, Knuckle to B/Joint Stud
34	<b>4383970</b>	<b>4423740</b>	Housing Assembly, Front Disc - Right
34	<b>4383971</b>	<b>4423741</b>	Housing Assembly, Front Disc - Left (Not Shown)
35			Disc, Retainer (Not Serviced)
36	<b>6100557</b>	<b>6100557</b>	Screw, Washer Head
37	01600263	01600263	Bracket, Front Brake Hose
38	<b>4313630</b>	<b>4313630</b>	Fitting, Hose - Right (Not Shown)
38	<b>4313631</b>	<b>4313631</b>	Fitting, Hose - Left
39	<b>6500908</b>	<b>6500908</b>	Screw, Housing to Knuckle
40	<b>4284483</b>	<b>4284483</b>	Cap, Wheel (Not Shown)
41	08740132	08740132	Wheel/Tire Assembly (Not Shown)
42	<b>4472414</b>	<b>4472414</b>	Wheel Assembly 15.0 X 6.0 (Not Shown)
43	01500396	01500396	Tire LT 195/75 R15 (Not Shown)



Drive Train - Chrysler



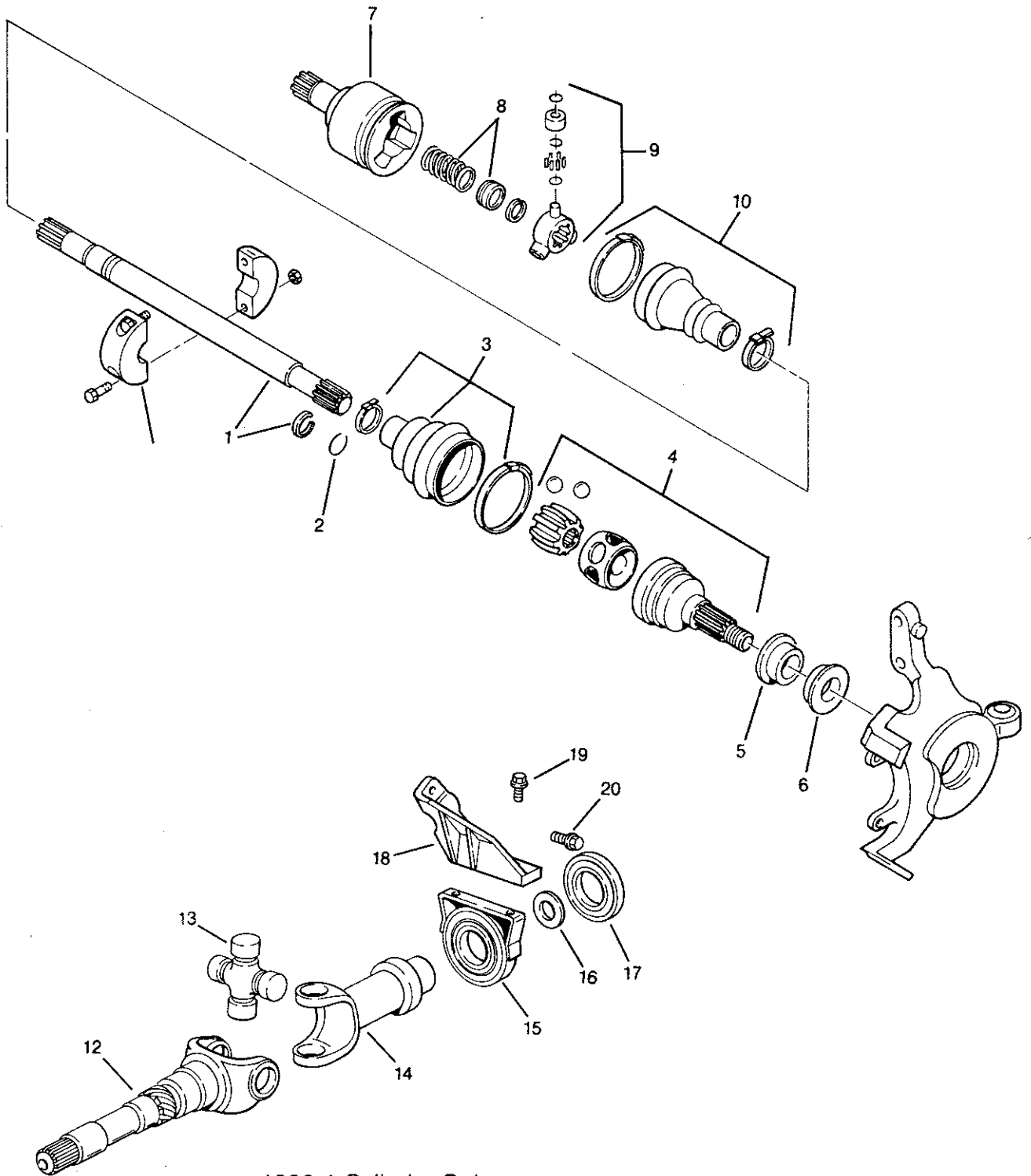
# Aeromate Walk-In Van

Utilimaster Motor Corporation

## Section 2.1

Drive Train - *Refer to Chrysler S-Body Manual for additional information*

Item	1989-1990	1991-1992	Description
44			Shoe, Lining and Clip Package - Disc Brake (Not Shown)
45	<b>4238884</b>	<b>4238884</b>	Clip, Disc Brake Inner Shoe Anti Rattle, Right (Not Shown)
45	<b>4238885</b>	<b>4238885</b>	Clip, Disc Brake Inner Shoe Anti Rattle, Left (Not Shown)
46	<b>4313254</b>	<b>4313254</b>	Clip, Disc Brake Outer Shoe Anti Rattle, Right (Not Shown)
46	<b>4313255</b>	<b>4313255</b>	Clip, Disc Brake Outer Shoe Anti Rattle, Left (Not Shown)



1990 4-Cylinder Only

Front Drive Shaft  
2-4

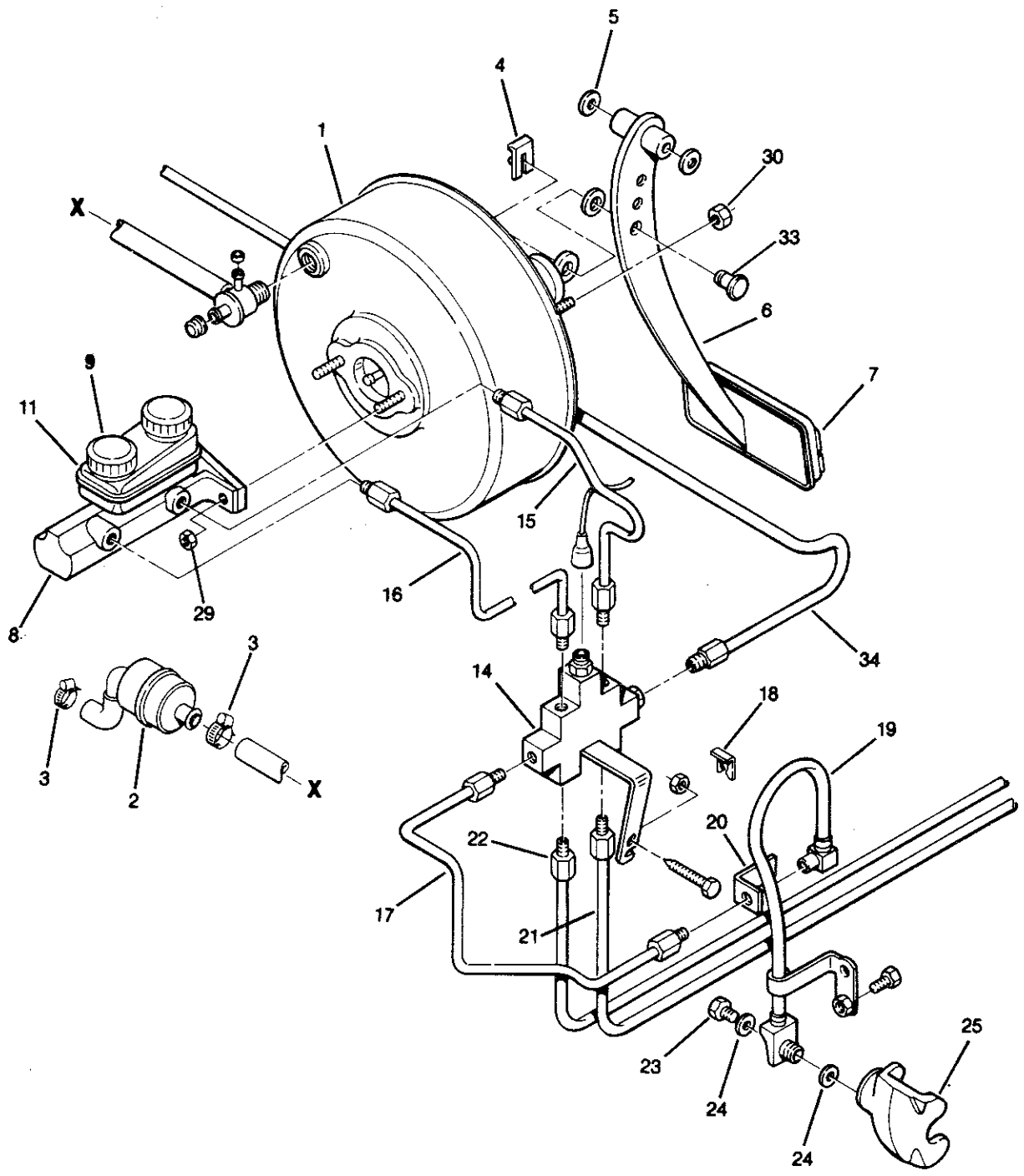
# Aeromate Walk-In Van

Utilimaster Motor Corporation

## Section 2.2

Shaft, Front Drive - See Chrysler S-Body Parts Manual for additional information

Item	1989-1990	1991-1992	Description
1	4384728		Shaft, Drive with Circlip - Rt w/2.5L EFI (GKN)
1	4346887		Shaft, Drive with Circlip - Lt. w/2.5L EFI (GKN)
1	4384736		Shaft, Drive with Circlip - Rt. w/2.5L Turbo I w/Auto Trans. (GKN)
1	4346887		Shaft, Drive with Circlip - Lt. w/2.5L Turbo I w/Auto Trans. (GKN)
1	4384728	4511104	Shaft, Drive with Circlip - Rt. w/3.0, 3.3L EFI (GKN)
1	4384737	4511103	Shaft, Drive with Circlip - Lt. w/3.0, 3.3L EFI (GKN)
2	5212566	5212566	Ring, Shaft Outer (GKN)
3	4384706	4384706	Boot Package, Outer - Rt.-Lt. (GKN)
4	4384702	4384702	Joint, C.V. Outer - Rt.-Lt. (GKN)
5	5212536	5212536	Sleeve, Outer Joint
6	5212535	5212535	Seal, Outer Joint
7	4384730		Housing, C.V. Inner - Rt. w/2.5L EFI (GKN)
7	4384705		Housing, C.V. Inner - Lt. w/2.5L EFI (GKN)
7	4384730		Housing, C.V. Inner - Rt. w/2.5L Turbo I w/Auto Trans. (GKN)
7	4384705		Housing, C.V. Inner - Lt. w/2.5L Turbo I w/ Auto Trans. (GKN)
7	4384730	4384730	Housing, C.V. Inner - Rt. w/3.0, 3.3L EFI (GKN)
7	4384705	4384705	Housing, C.V. Inner - Lt. w/3.0, 3.3L EFI (GKN)
8	5212675	5212675	Spring, w/Cup - w/(GKN)
9	4384709		Tripod Package, Inner - w/ (GKN)
10	4384707		Boot Package, Inner - Rt. w/2.5L EFI (GKN)
10	4384704		Boot Package, Inner - Lt. w/2.5L EFI (GKN)
10	4384707		Boot Package, Inner - Rt. w/2.5L Turbo w/Auto Trans. (GKN)
10	4384704		Boot Package, Inner - Lt. w/2.5L Turbo I w/Auto Trans. (GKN)
10	4384707	4384707	Boot Package, Inner - Rt. w/3.0, 3.3L EFI (GKN)
10	4384704	4384704	Boot Package, Inner - Lt. w/3.0, 3.3L EFI (GKN)
11	5212767	5212767	Weight, Damper - w/(GKN)
12	5212991	5212991	Yoke, Inner
13	4384514	4384514	Joint Package, Intermediate Shaft
14	5212979	5212979	Shaft, Inner
15	5212932	5212932	Bearing, w/Bracket
16	5212964	5212964	Seal
17	5212962		Slinger, Inner-Outer
17		5212962	Slinger, Inner
17		5212975	Slinger, Outer
18	4384770	4384770	Bracket, Inner Shaft
19	6101299	6101299	Screw, w/Washer
20	6500158	6500158	Screw, w/Washer



Power Brake Assembly  
3-1

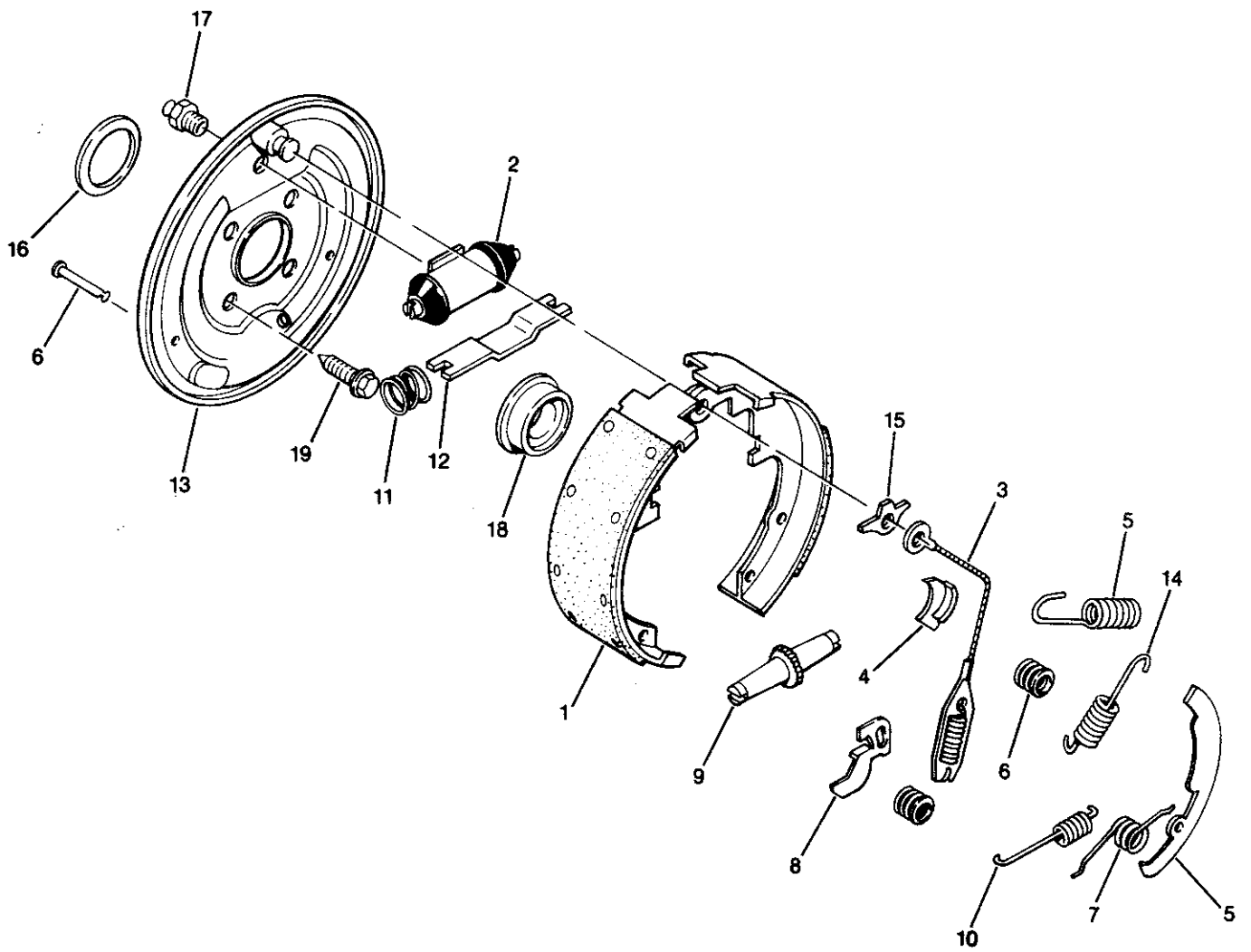
# Aeromate Walk-In Van

Utilimaster Motor Corporation

## Section 3.1

Power Brake Assembly - See Chrysler S-Body Parts Manual for additional information.

Item	1989-1990	1991-1992	Description
1	<b>4294536</b>	<b>4294536</b>	Booster, Brake
2	<b>4294747</b>	<b>4294747</b>	Vacuum Hose Assembly, (Muffler, Filter and Clamp )
2A	<b>3880050</b>	<b>3880050</b>	Muffler, Booster Vac. Hose Filter
3	<b>6028961</b>	<b>6028961</b>	Clamp, Brake Booster Vacuum Tube
4	<b>4294036</b>	<b>4294036</b>	Clip, Brake Pedal Booster Push Rod Pin
5	<b>2467770</b>	<b>2467770</b>	Bushing, Brake Pedal
6	<b>4294005</b>	<b>4294005</b>	Pedal, Brake with Auto Trans.
7	<b>4019660</b>	<b>4019660</b>	Pad, Brake Pedal with Auto Trans.
8	<b>4294152</b>	<b>4294152</b>	Master Cylinder Assembly
9	<b>5204056</b>	<b>5204056</b>	Cap, Master Cylinder Reservoir
10	<b>5204057</b>	<b>5204057</b>	Diaphragm, Master Cylinder (Not Shown)
11	<b>3880368</b>	<b>3880368</b>	Reservoir, Master Cylinder
12	<b>5204149</b>	<b>5204149</b>	Grommet, Reservoir Mounting (Not Shown)
13	<b>6101181</b>	<b>6101181</b>	Stop, Snap Ring (Not Shown)
14	<b>4313031</b>	<b>4313031</b>	Switch, Brake Diff.
15	<b>1843251</b>	<b>1843251</b>	Primary Line, Brake
16	<b>1843251</b>	<b>1843251</b>	Secondary Line, Brake
17	01625036	01625036	Line, Left Front Brake
18	<b>2208873</b>	<b>2208873</b>	Lock, Brake Line
19	<b>4313630</b>	<b>4313630</b>	Hose, Front - Right
19	<b>4313631</b>	<b>4313631</b>	Hose, Front - Left
20	01600263	01600263	Bracket, Front Brake Hose
21	01625046	01625046	Tube, Left Rear Main Brake Line 3/8"
22	01625037	01625037	Tube, Right Rear Main Brake Line 7/16
23	<b>6030230</b>	<b>6030230</b>	Bolt, Banjo
24	<b>6030084</b>	<b>6030084</b>	Gasket, Brake Hose
25	<b>4383058</b>	<b>4383058</b>	Housing Caliper Partial - Right
25	<b>4383059</b>	<b>4383059</b>	Housing Caliper Partial - Left
26	01101615	01101615	Clip, Plastic Brake Line, Single (Not shown)
27	01101613	01101613	Clip, Plastic Brake Line, Double (Not shown)
28	01101614	01101614	Clip, Plastic Brake Line, Triple (Not shown)
29	<b>6500230</b>	<b>6500230</b>	Nut, Cylinder to Booster
30	<b>6100050</b>	<b>6100050</b>	Nut, Booster to Body
31	<b>3699447</b>	<b>3699447</b>	Gasket, Booster to Body (Not shown)
32	<b>4294008</b>	<b>4294008</b>	Spacer, Booster to Body (Not shown)
33	<b>3880452</b>	<b>3880452</b>	Shaft, Pedal Pivot
34	01625047	01625047	Line, Right Front Brake



Rear Brakes Assembly  
3-3

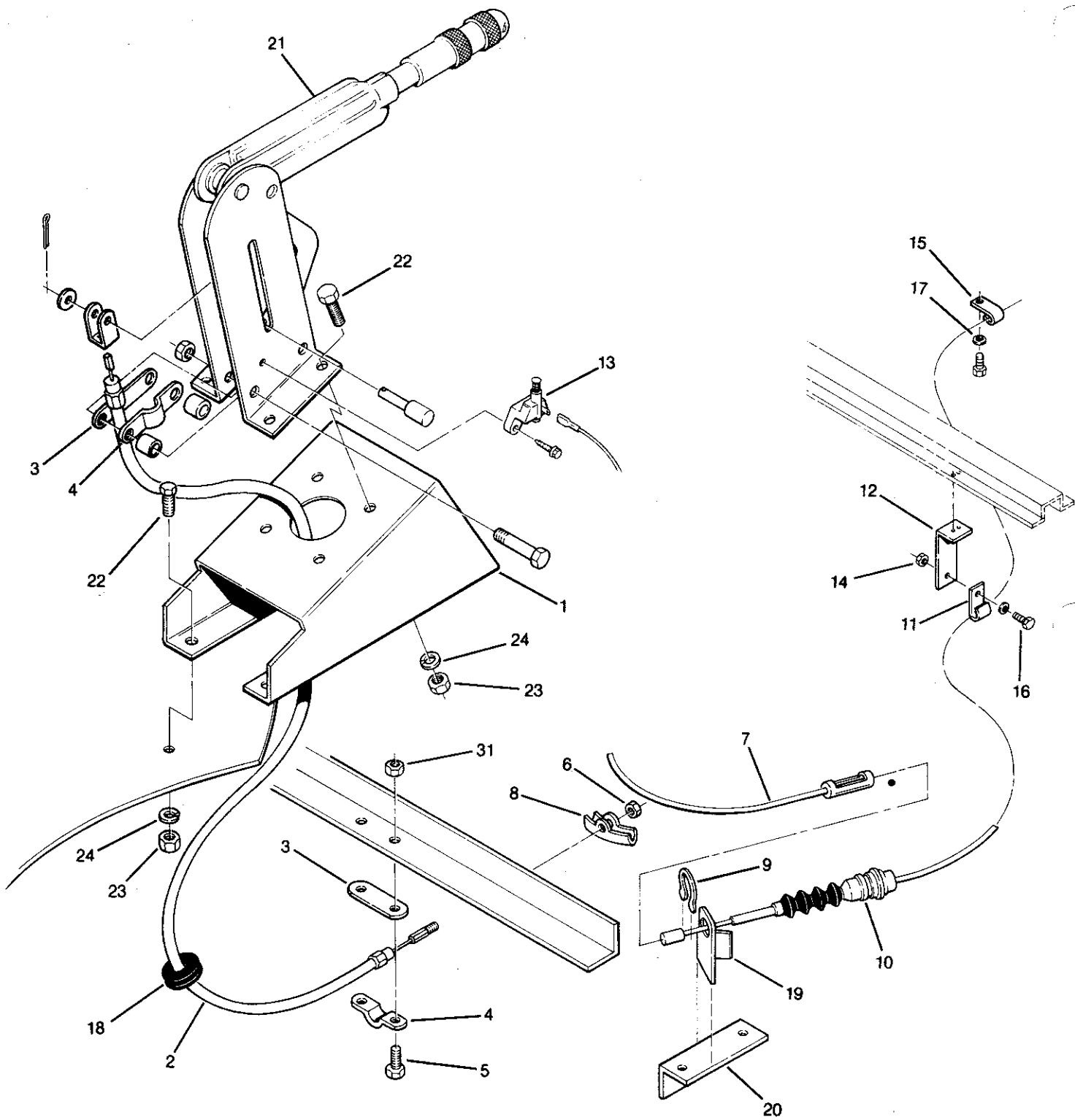
# Aeromate Walk-In Van

## Utilimaster Motor Corporation

### Section 3.2

Brakes, Rear - See Chrysler S-Body Parts Manual for additional information

Item	1989-1990	1991-1992	Description
1	<b>4313080</b>	<b>4313080</b>	Shoe and Lining Package, (Axle Set)
2	<b>4313056</b>	<b>4313056</b>	Cylinder, Wheel Brake Complete
	<b>6028921</b>	<b>6028921</b>	Screw, Wheel Cylinder Mtg.
3	<b>3461662</b>	<b>3461662</b>	Cable, Auto. Adjuster Cable, Complete
	<b>3461660</b>	<b>3461660</b>	Spring, Adjuster Cable
4	<b>4313074</b>	<b>4313074</b>	Guide, Auto, Adjuster Cable
5	<b>4313810-1</b>	<b>4313810-1</b>	Lever, Parking Brake
6	<b>4313062</b>	<b>4313062</b>	Spring, Brake Shoe Hold Down
	<b>2260548</b>	<b>2260548</b>	Pin, Brake Shoe Hold Down Spring
7	<b>2944580-1</b>	<b>2944580-1</b>	Spring, Auto. Adjuster Lever
8	<b>3461665</b>	<b>3461665</b>	Lever, Auto. Adjuster
	<b>4049681</b>	<b>4049681</b>	Pin, Auto. Adjuster Lever
9	<b>2881686-7</b>	<b>2881586-7</b>	Screw, Adjuster Pivot
	<b>2944692-3</b>	<b>2944692-3</b>	Nut, Auto. Adjuster Pivot Screw
	<b>2944586</b>	<b>2944586</b>	Button, Adjuster
	<b>6027559</b>	<b>6027559</b>	Washer, Adjuster Button
10	<b>4313069</b>	<b>4313069</b>	Spring, Auto. Adjuster Shoe to Guide
11	<b>4313079</b>	<b>4313079</b>	Spring, Parking Brake Stud
12	<b>4313078</b>	<b>4313078</b>	Strut, Parking Brake
13	<b>4313055</b>	<b>4423059</b>	Support, Rear Wheel Brake
	<b>4238700</b>	<b>4238700</b>	Plug, Park Cable Hole
	<b>4238721</b>	<b>4238721</b>	Plug, Adjuster Hole
14	<b>2881676</b>	<b>2881676</b>	Spring, Brake Shoe Return
15	<b>4313075</b>	<b>4313075</b>	Guide, Brake Anchor Shoe
16	<b>4313231</b>	<b>4313231</b>	Seal, Brake Support to Spindle
17	<b>3766674</b>	<b>3766674</b>	Screw, Bleeder
	<b>4238717</b>	<b>4238717</b>	Cap, Cyl. Bleeder Screw
18	<b>4238789</b>	<b>4238789</b>	Seal, Dust
19	<b>6500844</b>	<b>6500844</b>	Bolt, Support To Spindle



Parking Brake Assembly  
3-5

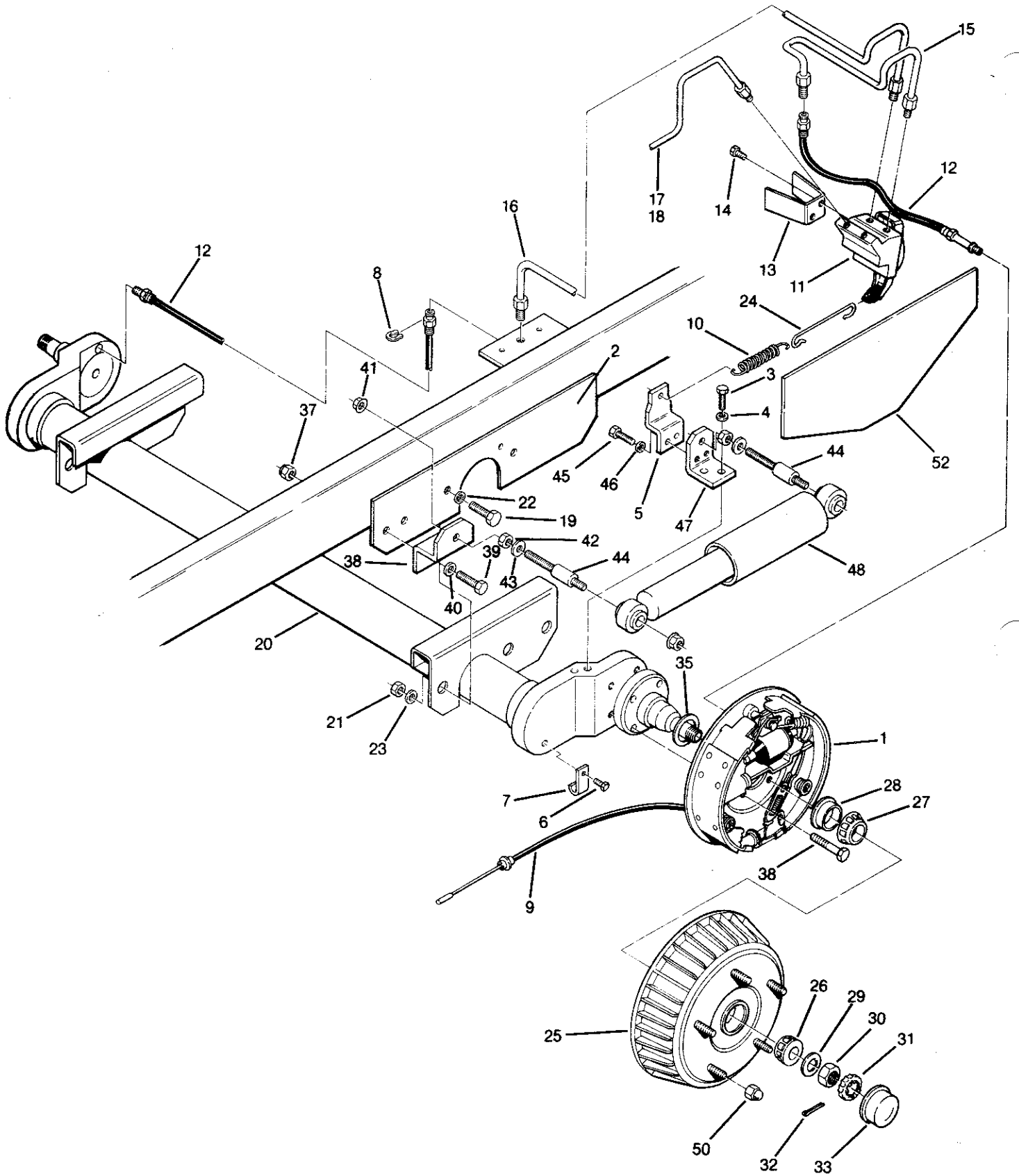


# Aeromate Walk-In Van

## Utilimaster Motor Corporation

### Section 3.3 Brake, Parking

Item	1989-1990	1991-1992	Description
1	01625038	01625038	Bracket, Parking Brake Handle (Not on Late '91 Models)
2	01000014	01000014	Front Cable Assembly, Emergency Brake
3	01101878	01101878	Bracket, Cable
4	01101877	01101877	Collar, Cable
5	11004442	11004442	Bolt, 5/16-18 X 1 GRD 5
6	11006958	11006958	Locknut, 5/16-24
7	01625049	01625049	Intermediate Cable Assembly, Emergency Brake
8	<b>3467901</b>	<b>3467901</b>	Equalizer, Intermediate Parking Brake Cable (Chrysler)
9	<b>2201467</b>	<b>2201467</b>	Brake Line Lock
10	01625056	01625056	Rear Cable Assy, Emergency Brake - Right (Not Shown)
10		01642000	Rear Cable Assy, Emergency Brake-Right (Late '91 Model)
10	01625056	01625056	Rear Cable Assembly, Emergency Brake - Left Side
11	08707476	08707476	Brake Line Clip
12	22100285	22100285	Bracket, Emergency Cable Hanger
13	16000036	16000036	Switch, Emergency Light
14	11000903	11000903	Locknut, 1/4-20
15	22100036	22100036	Bracket, Emergency Brake Cable Mounting
16	11305604	11305604	Capscrew, Zinc 1/4-20 UNC X 1/2" HEX
17	11009044	11009044	Washer, Star 1/4"
18	16500073	16500073	Bushing, Snap
19	01100525	01100525	Bracket, Right Rear Emergency Brake
19	01100526	01100526	Bracket, Left Rear Emergency Brake
20	01100515	01100515	Angle, Mounting
21	01625048	01625048	Lever, Mechanical Emergency Brake
22	11004440	11004440	Bolt, Hex 5/16-18 X 3/4"
23	11006954	11006954	Nut, Lock 5/16-18
24	11008150	11008150	Washer, Lock 5/16



Rear Axle Assembly  
4-1

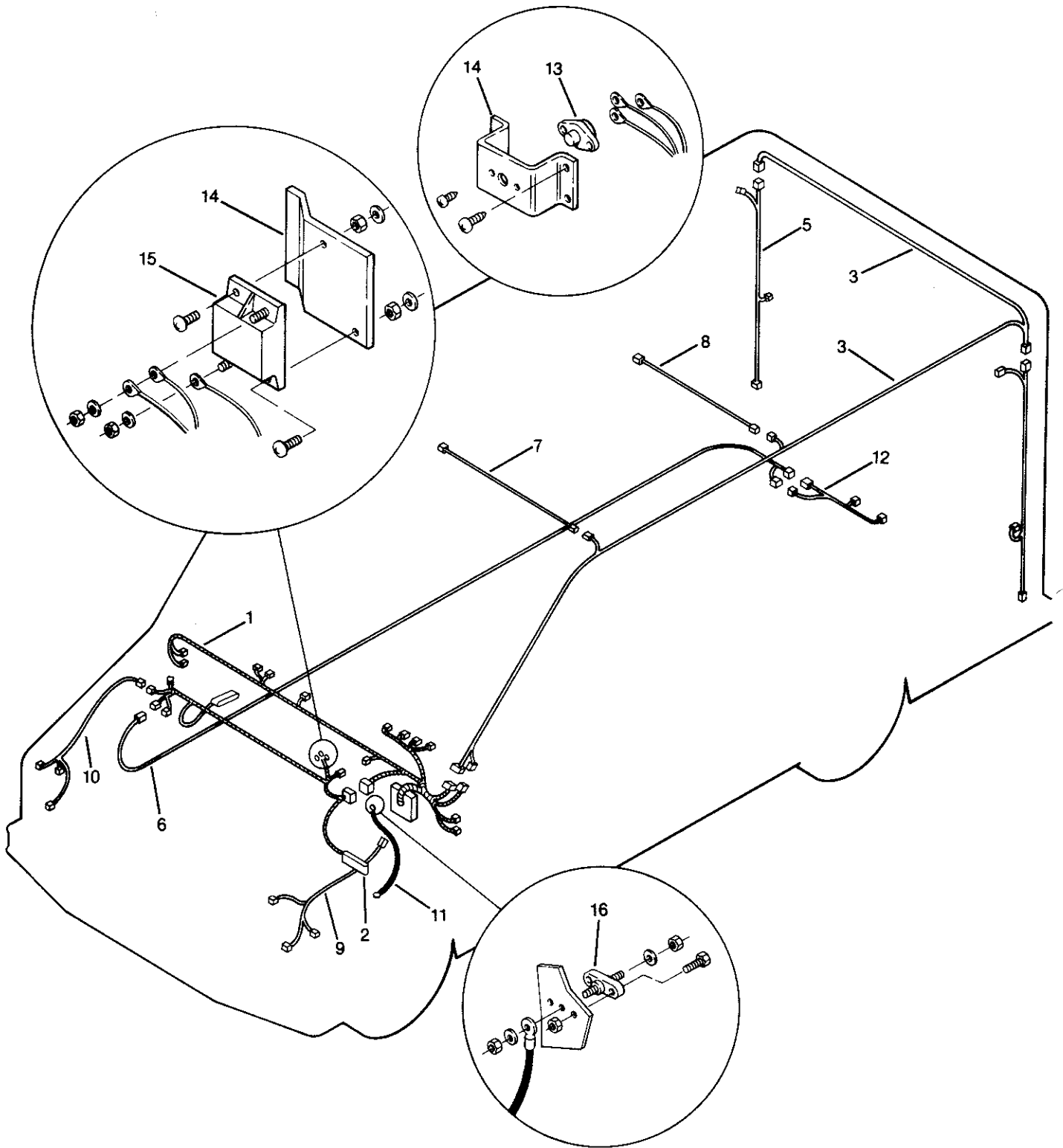
# Aeromate Walk-In Van

## Utilimaster Motor Corporation

### Section 4.1

Rear Axle Assembly - See Chrysler S-Body Parts Manual for additional information

Item	1989-1990	1991-1992	Description
1	<b>4313080</b>	NA	Brake, Assembly, Set
2	01100533	01109405	Plate, Axle Mounting
3	11005609	11005609	Bolt, 1/4-20 X 3/4" Gr 5 HHCS
4	11008003	11008003	Washer, Flat 1/4"
5	22100090		Bracket, Spring - ('89 Only)
5	01600600	01600600	Bracket, Spring
6	11005604	11005604	Bolt, 1/4-20 X 1/2" HHCS
7	22100036	22100036	J-Clip
8	01100526	01101732	Clip, Retainer Left
9	01625056	01625056	Cable, Emergency Brake - Left
9		01642000	Cable, Emergency Brake - Right ('91-92)
10	01625363	01625363	Spring, Valve Tensioning
11	<b>4383673</b>	<b>4383673</b>	Valve, Proportioning
12	01100534	01100534	Hose, Brake - Chrysler
13	22001009	22001009	Bracket, Proportion Valve
14	<b>6100583</b>	<b>6100583</b>	Bolt, 8MM X 1.25 Hew Washer
15	01625035	01625035	Brake Line, Left Rear
16	01625039	01625039	Brake Line, Right Rear
17	01625037	01625037	Brake Line, Right Rear Height Valve To Differential 7/16
18	01625046	01625046	Brake Line, Left Rear Height Valve to Differential 3/8
19	11005777	11005777	Bolt, 3/4-10 X 1 1/2" UNC Gr 5
20	01601105	01601105	Rear Axle, 3000#
21	11007142	11007142	Nut, Locking 3/4-10
22	11008506	11008506	Washer, Lock 3/4"
23	11008507	11008507	Washer, Flat 3/4"
24	01625364	01625364	Rod, Spring Connection
25	<b>1600176</b>	NA	Hub and Drum Assembly
26	<b>3683974</b>	NA	Bearing, Wheel-Outer
27	<b>3683975</b>	NA	Bearing, Wheel-Inner
28	<b>4238789</b>	NA	Seal, Brake Hub
29	<b>600194</b>	NA	Washer, Thrust
30	<b>6029692</b>	NA	Nut, Wheel Bearing
31	<b>1673324</b>	NA	Nut, Lock Pin
32			Pin, Cotter (Not Serviced)
33	<b>3580894</b>	NA	Cap, Brake Hub
34	<b>4228124</b>	NA	Spindle, Rear Wheel
35	<b>4313231</b>	NA	Seal, Spindle Support
36	<b>6500815</b>	NA	Screw, Spindle Attaching
37			Nut
38	01626307	01626307	Shock Bracket FT
39			Bolt
40			Washer
41	11000026	11000026	Nut, 1/2-20 Flange Lock
42			Nut
43			Washer,
44	01626505	01626505	Pin, Shock Mounting
45			Bolt
46			Washer,
47	01626306	01626306	Shock Bracket, Right Rear
48	01600714	01600714	Shock
49	11001106	11001106	Nut, 1/2-20
50	06500294	06500294	Wheel Nut



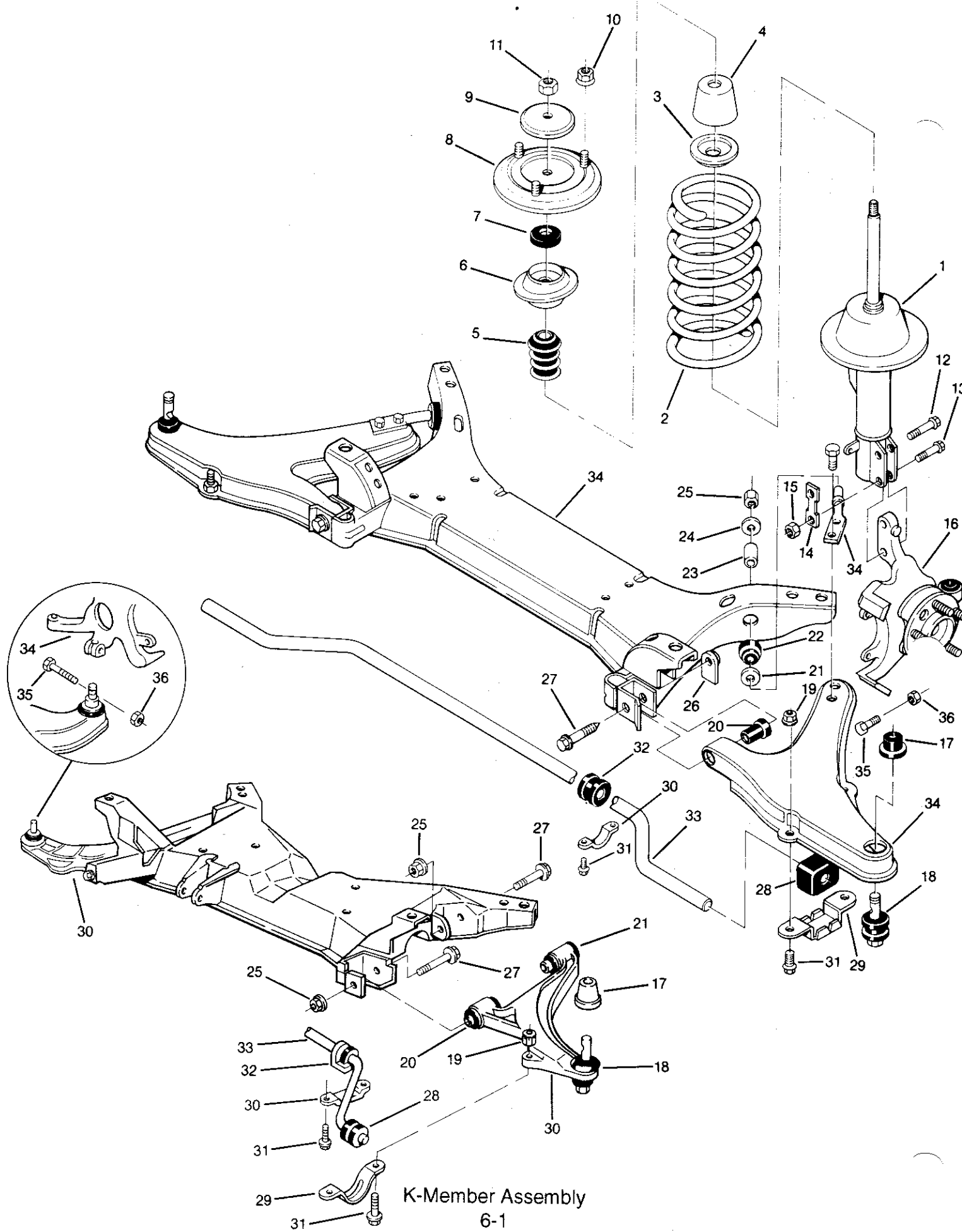
# Aeromate Walk-In Van

Utilimaster Motor Corporation

## Section 5.1

### Wiring Harnesses

Item	1989	1990	1991 Late	1991-1992 V-6	Description
1	16403013	16400652	16400663	16400658	Main Harness
2	16400982	16400649	16400660	16400657	Engine Comp. Harness
2	16400650				Engine Comp. Harness (Turbo 4 Cyl.)
3	16403010	16400653	16400653	16400653	Main Body Harness
4	16403003	16403003	16403003	16403003	Lt. Rear Lamp Harness
5	16403007	16403007	16403007	16403007	Rt. Rear Lamp Harness
6	16400981	16400654	16400662	16400654	Fuel Tank Ex. Harness
7	16403002	16403002	16403002	16403002	Dome Ex. Harness
8	16403009	16403009	16403009	16403009	Cargo Ex. Harness
9	16403006	16403006	16403006	16400664	Lt. Headlamp Harness
10	16403008	16403008	16403008	16400664	Rt. Headlamp Harness
11	16403004	16403004	16403004	16403004	Power Feed Harness
12	16403012	16403012	01102062	16403012	Fuel Tank Harness
13	16100815	16100815			Breaker, Main Circuit 70A
14		06604584	06604584	06608073	Mount, Main Circuit Breaker
15				16102940	Breaker, Main Circuit 110A (6-Cylinder)
16	16102922	16102922	16102922	16102922	Pole, Main Firewall Hot



K-Member Assembly  
6-1

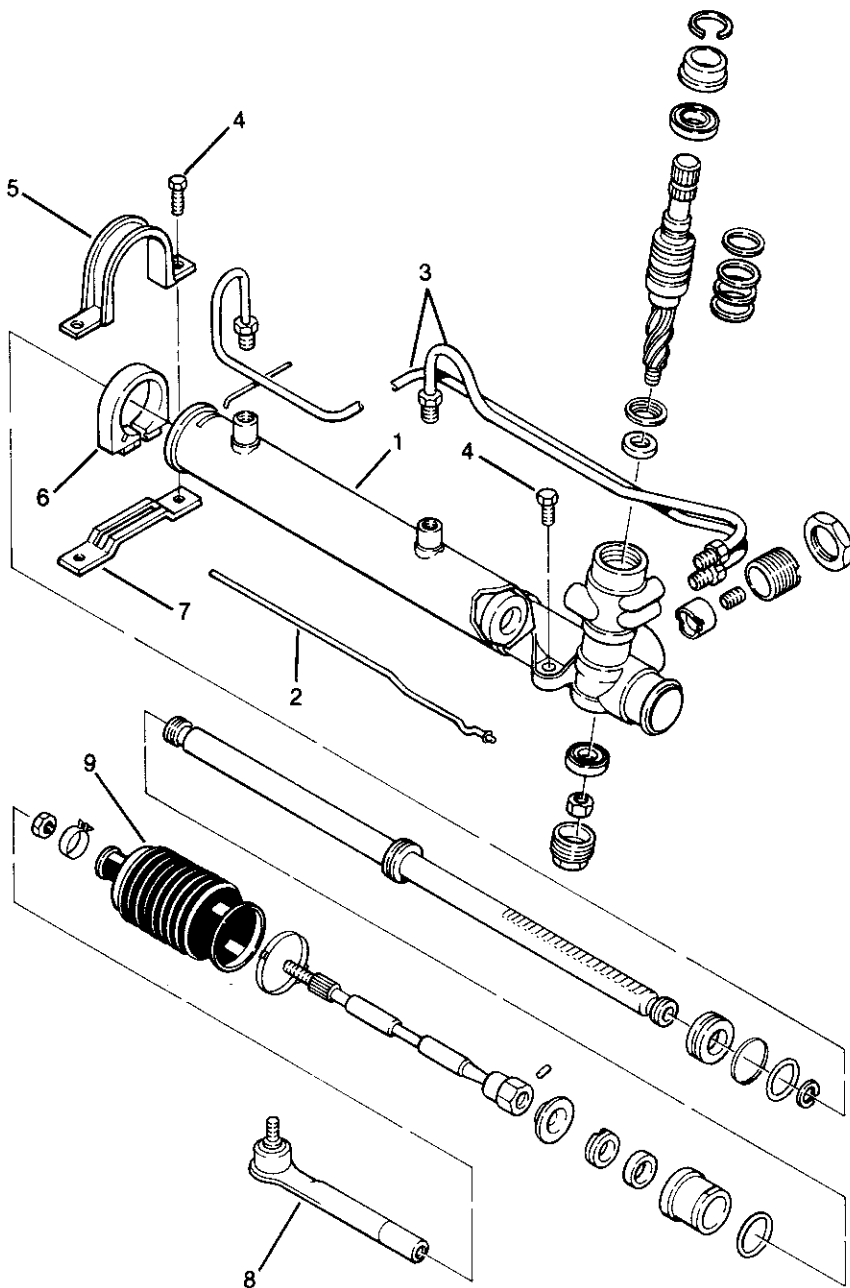
# Aeromate Walk-In Van

Utilimaster Motor Corporation

## Section 6.1

K-Member - See *Chrysler S-Body Parts Manual* for additional information

Item	1989-1990	1991-1992	Description
1	4449160	4449635	Strut, Damper or Shock Assy.
2	4322788	4322788	Spring - Lt. & Rt.
3	4014441	4014441	Spacer, Front Spring (Use Only Where Specified)
4	4443416	4638630	Shield, Dust (In Pkg.)
5	4449064	4638630	Bumper, Front Jounce
6	4322628	4322628	Seat, Front Strut Upper
7	4322633	4322633	Washer, Front Strut
8	4404976	4404976	Mount, Front Strut
9	4052822	4052822	Retainer, Front Strut Rebound
10	6101446	6101446	Nut, w/Washer Fender Shield
11	6501094	6501094	Nut, Strut Rod
12	6500615	6500615	Bolt, Front Strut to Knuckle Upper
13	6500614	6500614	Bolt, Cam Lower
14	4014444	4014444	Washer, Front Strut
15	6500593	6500593	Nut, Knuckle Bolt
16	4052840-1	4449460-1	Knuckle, Front
17	4052509	4052509	Seal, Front Ball Joint
18	4364782	4449553	Ball Joint, Front
19	6101467	6100509	Nut
20	4443410	5272084	Bushing, Pivot Shaft
21	5204534	5272098	Retainer, Strut Bushing
22	4322285	6501484	Bushing, Strut Arm
23	5204535		Sleeve, Strut Bushing
24	5204534		Retainer, Strut Bushing
25	6501706	6101515	Nut, Front Strut
26	4052561		Plate, Pivot Bolt
27	6500940		Bolt, Pivot
28	4443427	4449618	Bushing, Sway Elim. To Control Arm
29	4014418	5272045	Retainer, Sway Eliminator
30	4052522	4449441	Clamp, Sway Elim. To C/Mbr.
31	6501534	6502275	Screw
31	6100128		Washer (Comes with Screw #31)
32	4322677	4449567	Cushion, Sway Elim. To C/Mbr.
33	4449263	5272205	Shaft, Sway Elim. w/Std., H.D.
34	4322288-9	5272116-7	Arm, Front Control
35	6501248	6502336	Bolt, Knuckle To B/Joint Stud
36	6501738	NA	Nut, Knuckle To B/Joint Bolt



Rack & Pinion Steering Gear Assembly  
6-3



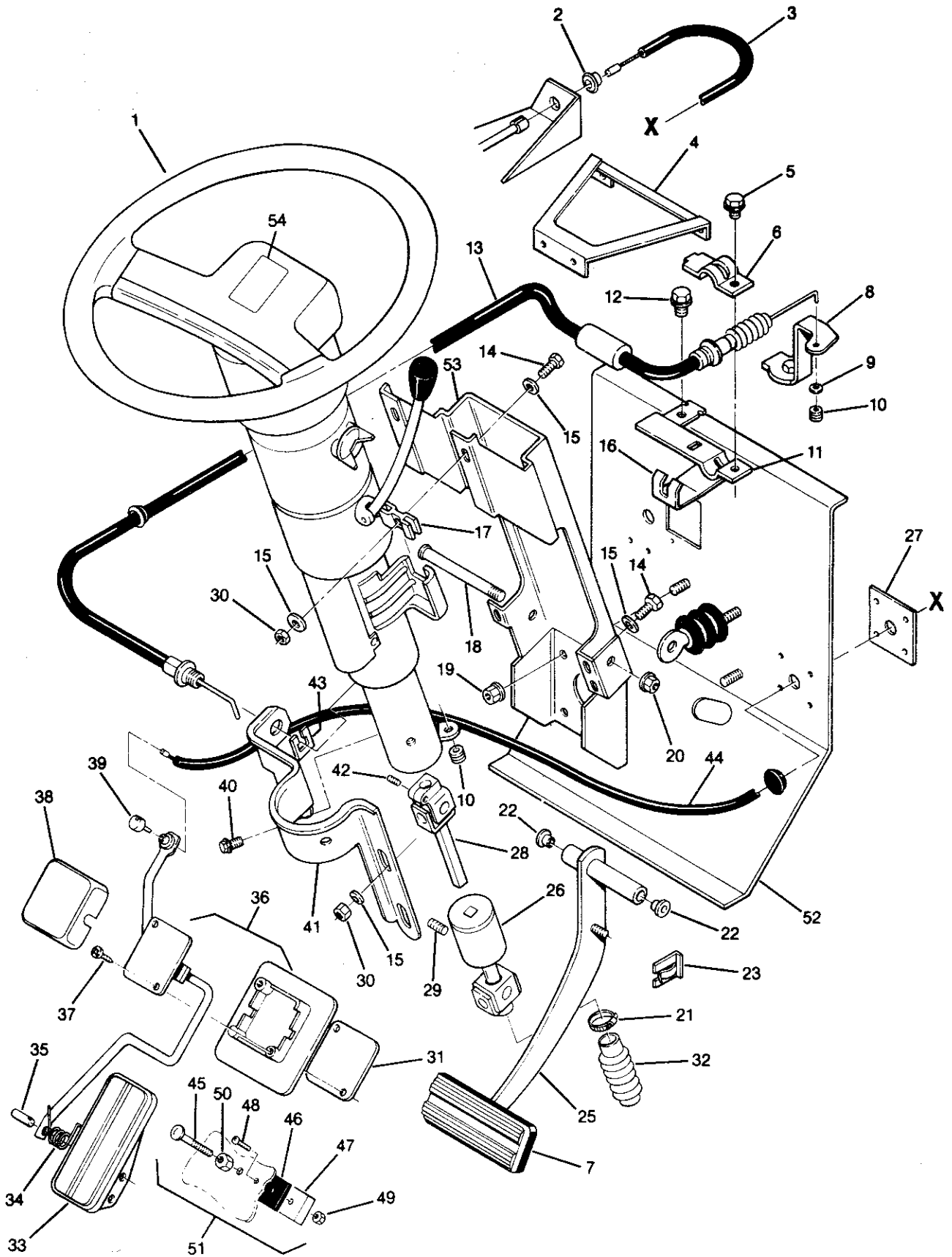
# Aeromate Walk-In Van

Utilimaster Motor Corporation

## Section 6.2

Steering Gear, Rack & Pinion - *See Chrysler S-Body Parts Manual for additional information*

Item	1989-1990	1991-1992	Description
1	<b>4470303</b>	<b>4470852</b>	Gear, Rack and Pinion Assy.
2	<b>4147342</b>	<b>4147342</b>	Breather Tube, Rack
3	<b>4147346</b>	<b>NA</b>	Line, Cylinder, Left
3	<b>4147351</b>	<b>NA</b>	Line, Cylinder, Right
4	<b>6501865</b>	<b>6501865</b>	Bolt, Rack and Pinion Power Strg. Gear Mounting
5	<b>4470382</b>	<b>4470382</b>	Bracket, Rack and Pinion Power Strg. Gear Mounting, Outer - Rt.
6	<b>3643471</b>	<b>3643471</b>	Bushing, Rack and Pinion Power Strg. Gear Mounting
7	<b>4470383</b>	<b>4470383</b>	Bracket, Rack and Pinion Power Strg. Gear Mounting, Inner - Rt.
8	<b>4471000</b>	<b>5274084</b>	Tie Rod, Assy. Outer - 1 Outer Tie Rod, 1-6500121 Nut, and 1 Cotter Pin
9	<b>4147303</b>	<b>4147303</b>	Service Package, Boot (Tapered Boot) - 1-4147301 Inboard Clamp (After Kit) and 1 Bellows



Steering Mounting Assembly  
6-5

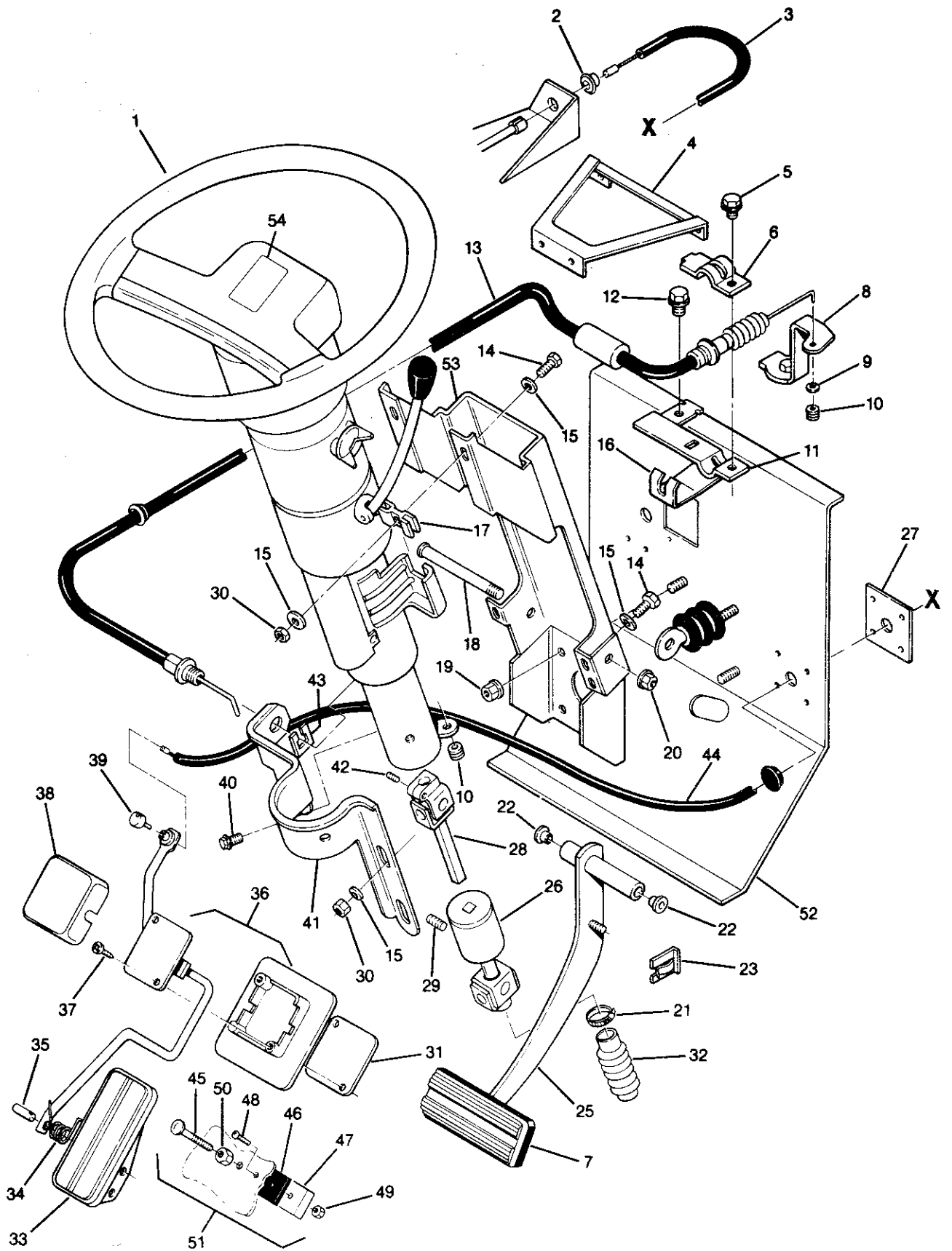
# Aeromate Walk-In Van

Utilimaster Motor Corporation

## Section 6.3

Steering Mounting Assembly - See *Chrysler S-Body Parts Manual* for additional information

Item	1989-1990	1991-1992	Description
1			Steering Column Assembly - Chrysler
2			Grommet (Not Serviceable)
3	<b>1000012</b>	<b>1000012</b>	Cable, Automatic Transmission
4	01702200	01700751	Bracket, Upper Steering Support
5	<b>6100560</b>	<b>6100560</b>	Bolt, Cable Mounting Clamp (Included with Transmission)
6	<b>5211887</b>	<b>5211887</b>	Clamp, Control Cable Mounting Front (Included with Transmission)
7	<b>4019660</b>	<b>4019660</b>	Pad, Brake Pedal with Automatic Transmission
8	<b>4446790</b>	<b>4446790</b>	Lever, Control (Included with Transmission)
9			Washer, Flat (Not Serviceable)
10	<b>3575333</b>	<b>3575333</b>	Grommet
11	<b>4329050</b>	<b>4329050</b>	Bracket, Cable Mounting, Front (Included with Transmission)
12	<b>6100315</b>	<b>6100315</b>	Screw, Bracket Mounting Front (Included with Transmission)
13	<b>4377315</b>		Cable, Gearshift Control
14	11005597	11305092	Screw, 1/4-20 X 1 SSPHN
15	11008114	11008114	Washer, Flat 1/4
16	<b>1702197</b>	NA	Bracket, Steering with Heel
17	<b>3748492</b>		Spacer, Steering Column Support Bracket
18	<b>3880452</b>	<b>3880452</b>	Shaft, Pivot with Automatic Transmission
19	<b>6100050</b>	<b>6100050</b>	Nut - Booster to Body
20	<b>6500197</b>	<b>6500197</b>	Nut, Pivot Shaft
21	<b>6032277</b>		Clamp, Steering Boot
22	<b>2467770</b>	<b>2467770</b>	Bushing, Nylon - Red
23	<b>4294036</b>	<b>4294036</b>	Clip, Brake Pedal Booster Push Rod Pin
24	<b>6604588</b>	<b>6604588</b>	Support, Accelerator Foot (Not Shown)
25	<b>4294005</b>	NA	Pedal, Brake with Automatic Transmission
26	<b>4333128</b>		Knuckle, Steering
27	<b>6511224</b>	NA	Plate, Accelerator Cable Mounting
28	<b>4333127</b>		Coupling, Upper Steering Shaft
29	<b>6500148</b>		Pin, Roll
30	11000903	11000903	Nut, Nylock 1/4-20
31	<b>4275099</b>	NA	Seal
32	<b>4188986</b>	<b>4188986</b>	Boot, Steering
33	<b>4105073</b>	NA	Pedal, Accelerator
34	<b>2899354</b>	NA	Spring
35	<b>9429032</b>	NA	Pin, Spring
36	<b>1000074</b>	NA	Bracket, Accelerator Arm (4405170)
37			Screw (Not Serviced)
38	<b>4275539</b>	NA	Cover, Dress Up
39	<b>4287736</b>		Retainer with Isolator
40	11305103	11305092	Bolt, 1/4-20 X 1 SS
41	<b>4147195</b>		Bracket, Steering Column Support Lug
42	<b>6500148</b>		Pin, Steering Shaft Coupling
43	<b>6501326</b>		Clip, Gear Shift Control Cable
44	<b>4307911</b>		Cable, Throttle
45	11000399	11000399	Bolt, Elevator 5/16-18 X 2 1/4
46	12303096	12303096	Tape, Dielectric
47	22001003	22001003	Plate, Governor
48	11303678	11303679	Screw, Pan Head Phillips #10-32 X 1
49	11006937	11006937	Nut, Lock #10-32



Steering Mounting Assembly

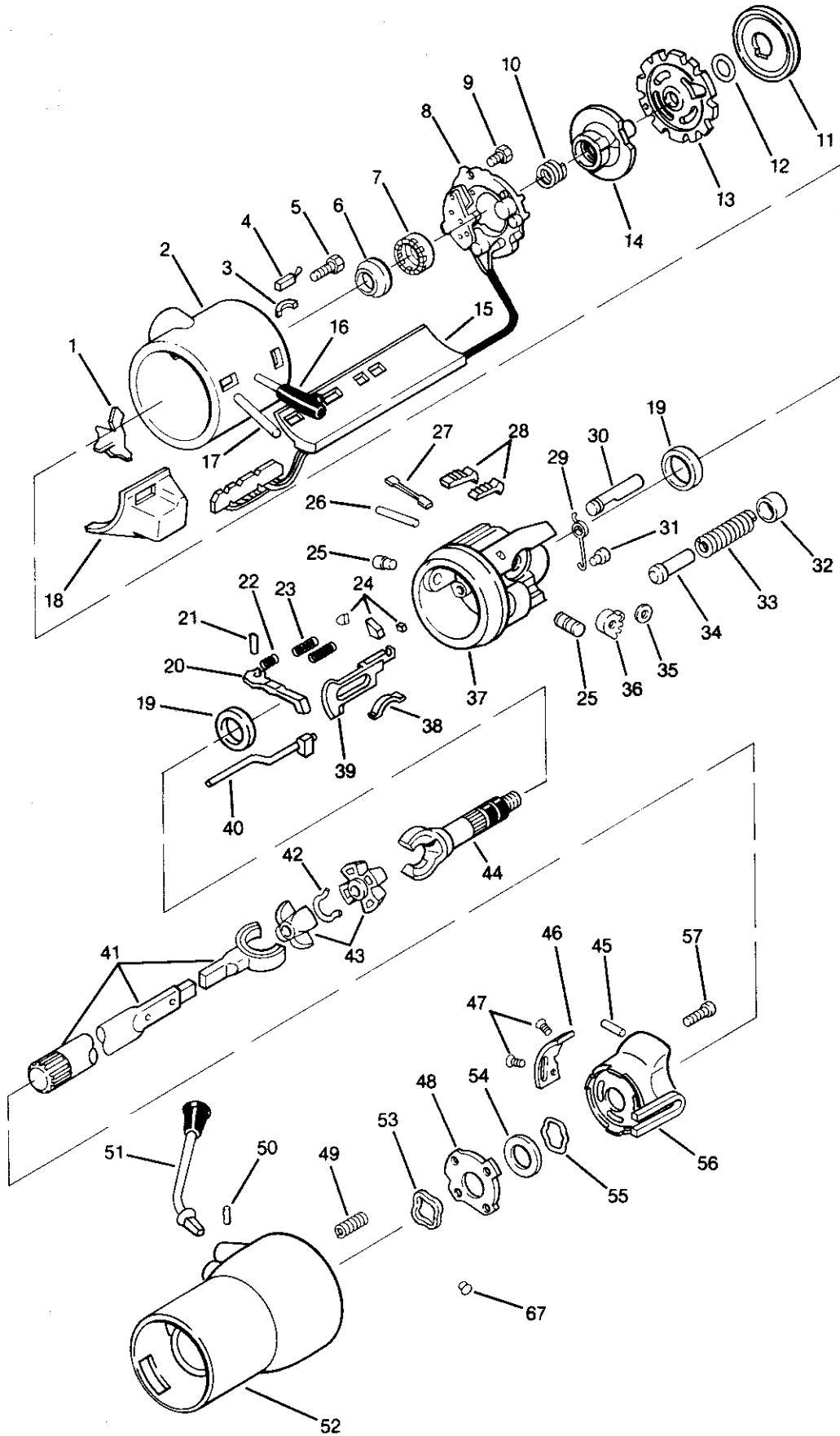
# Aeromate Walk-In Van

Utilimaster Motor Corporation

## Section 6.3

### Steering Mounting Assembly

Item	1989-1990	1991	Description
50	11006948	11006498	Nut, Jam 5/16-18
51	64252002	64252002	Governor Assembly, Accelerator
52	06600010	06604119	Pan, Steering Wheel Inset (4 Cylinder Only)
52	99250190	99250190	Pan, Steering Wheel Inset (V6)
53	01702301	01700750	Bracket, Steering Column
54	03000861	03000861	Emblem, Steering Wheel



Steering Column Assembly - 1989 - 1990  
6-8

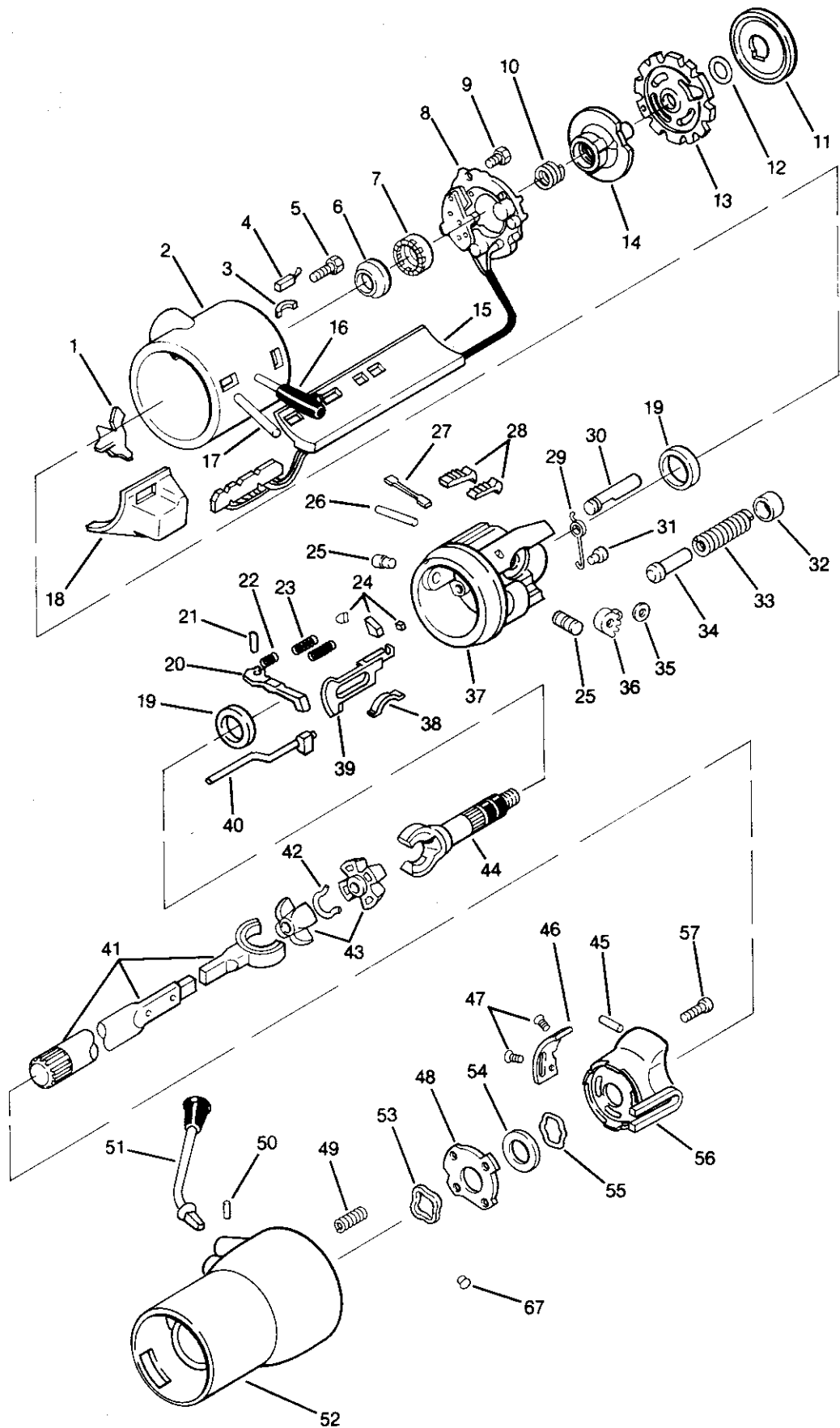
# Aeromate Walk-In Van

## Utilimaster Motor Corporation

### Section 6.4

Steering Column 1989 - 1990 Only - *See Chrysler Parts Manual for additional information*

Item	1989-1990	Description
1	<b>4019778</b>	Shield, Tilt Lever Opening
2	<b>4333531</b>	Cover, Lock Housing
3	<b>4019793</b>	Clip, Buzzer Switch Retaining
4	<b>3488432</b>	Switch, Ignition Key Buzzer
5	<b>3467402</b>	Screw, Oval Head Cross Recess
6		Race, Inner (Serv. in Kit 4147363)
7		Seat, Upper Bearing Inner Race (Serv. in Kit 4147363)
8		Switch, Turn Signal & Hazzard Warning (See Group 8)
9	<b>3467814</b>	Screw, Binding Head Cross Recess
10	<b>3575981</b>	Spring, Upper Bearing
11		Cover, Shaft Lock (Not Serv.)
12	<b>2925062</b>	Ring, Retainer
13	<b>4019336</b>	Lock, Shaft
14	<b>4188484</b>	Cam, Turn Signal Switch Cancelling
15	<b>5211997</b>	Trough, Strg. Column Wiring
16		Lever, Turn Signal Indicator, (See Group 8)
17	<b>4470109</b>	Lever, Strg. Col. Release Lock
18	<b>4147002</b>	Cap, End Cover
19		Bearing, Strg. Shaft Upper (Serv. in Kit 4147364)
20	<b>4188478</b>	Lever, Shoe Release
21	<b>2880259</b>	Pin, Shoe Release Lever
22	<b>2880262</b>	Spring, Shoe Release Lever
23	<b>3467392</b>	Spring, Shoe
24	<b>3467378</b>	Bumper
25		Pin, Pivot (Serv. in Kit 4147363)
26	<b>3467382</b>	Pin, Dowel
27	<b>4188835</b>	Shaft, Drive
28	<b>4019785</b>	Shoe, Strg. Wheel Lock w/4 Position
29		Spring, Lock Bolt (Serv. in Kit 4147364)
30	<b>3467377</b>	Bolt, Lock
31	<b>3467431</b>	Screw, Hex. Washer Head (Serv. in Kit 4147363)
32		Retainer, Spring (Serv. in Kit 4147363)
33		Spring, Wheel Tilt (Serv. in Kit 4147363)
34		Guide, Spring (Serv. in Kit 4147363)
35	<b>3467384</b>	Ring, Retaining
36		Sector, Switch Actuator (Serv. Kit 4147364)
37	<b>4333083</b>	Housing, Steering Col. Shaft, Upper Bearing
38	<b>3467391</b>	Spring, Rack Preload
39		Rack, Switch Actuator (Serv. in Kit 4147364)
40	<b>4188716</b>	Actuator, Ignition Switch w/Col. Shift
40	<b>4188872</b>	Pin, Switch Actuator Pivot
41	<b>4333085</b>	Shaft, Strg. Column
42		Spring, (Service in Kit 4147365)
43		Sphere, and Spring, (Serv. in Kit 4147365)
44	<b>4094094</b>	Shaft, Upper w/ Race, Strg. Column
45	<b>2880259</b>	Pin, Release Lever
46	<b>4470892</b>	Gate, Shift Lever
47	<b>3467402</b>	Screw, Oval Head Cross Recess
48	<b>3748498</b>	Plate, Lock
49	<b>2880284</b>	Spring, Strg. Column Shift Lever
50	<b>9412281</b>	Pin, Lever Spring



Steering Column Assembly - 1989 - 1990



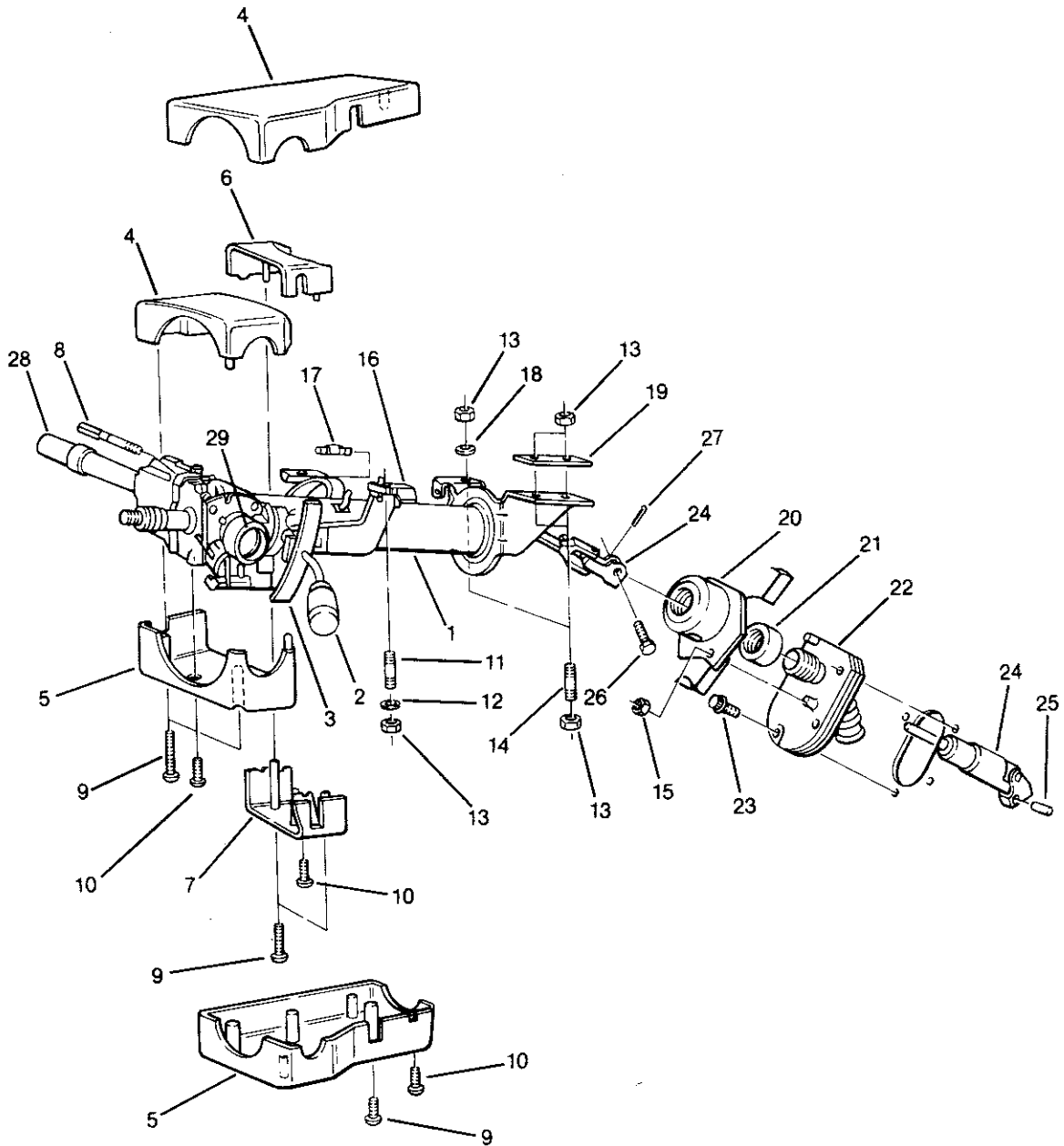
# Aeromate Walk-In Van

Utilimaster Motor Corporation

## Section 6.4

Steering Column 1989 - 1990 Only - *See Chrysler Parts Manual for additional information*

Item	1989-1990	Description
51		Lever, w/ Knob Column Gear Shift (See Group 21)
52	<b>4333091</b>	Bowl, Gearshift Lever
53	<b>3748592</b>	Washer, Wave, Col. Shift
54	<b>3467423</b>	Washer, Thrust
55	<b>3467415</b>	Ring, Shift Tube Retainer
56	<b>4470893</b>	Support, Bearing Housing, w/Col. Shift
57	<b>4470255</b>	Screw, Support Kits Available
	<b>6015925</b>	Retainer, Strg. Col. Wiring Trough
	<b>4147363</b>	Parts Package, Upper Column
	<b>4147364</b>	Rack Package, Column Sector
	<b>4147365</b>	Sphere Package, Tilt Column



Steering Column Assembly - 1991 - 1992

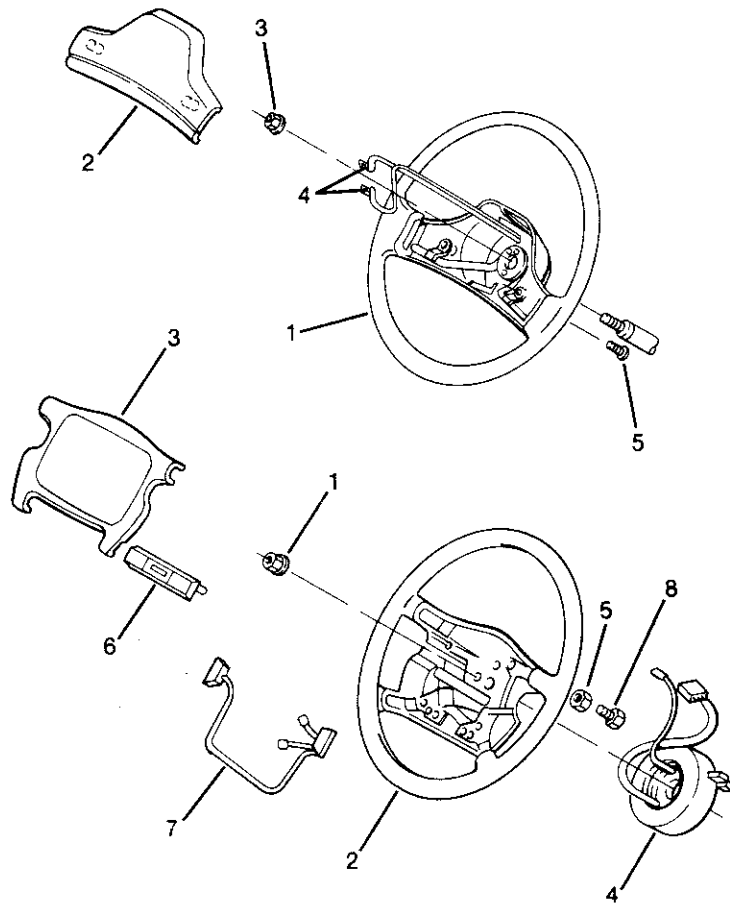
# Aeromate Walk-In Van

Utilimaster Motor Corporation

## Section 6.5

Steering Column 1991 - 1992 Only - See Chrysler Parts Manual for additional information

Item	1991-1992	Description
1	<b>4690016</b>	Column, Assy. w/Tilt, w/Column Shift
2	<b>4326965</b>	PRNDL Pkg.
3	<b>4470108</b>	Hider, Lever Gap
4	<b>WS31KV8</b>	Shroud Package, Upper (P.A.R.) w/Tilt (Up to 2-27-91)
4	<b>EY34KV8</b>	Shroud Package, Upper (P.A.R.) w/Tilt (After 2-27-91)
5	<b>WS32KV8</b>	Shroud Package, Lower (P.A.R.) w/Tilt (Up to 2-27-91)
5	<b>EY35KV8</b>	Shroud Package, Lower (P.A.R.) w/Tilt (After 2-27-91)
5	<b>DL32KV8</b>	Shroud Package, Lower (P.A.R.) w/Tilt (Up to 2-27-91)
5	<b>EY36KV8</b>	Shroud Package, Lower (P.A.R.) w/Tilt (After 2-27-91)
6	<b>WS41KV8</b>	Shroud, Upper Fixed (P.A.R.) w/ Tilt
7	<b>WS45KV8</b>	Shroud, Lower (P.A.R.) w/Tilt
8	<b>4680014</b>	Insert, Foam
8	<b>4326927</b>	Lever, Tilt
8	<b>4690012</b>	Spring, Tilt Assist Repair
9	<b>4470105</b>	Screw
10		Screw (Not. Serv.)
11	<b>6502390</b>	Stud
12		Washer (Not Serv.)
13	<b>6501730</b>	Nut
14	<b>6501912</b>	Stud
15		Nut, Zip On (Not Serv.)
16	<b>3748492</b>	Spacer
17	<b>4147290</b>	Clip, Ground
18	<b>4333235</b>	Shim
19	<b>4333231</b>	Shim
20	<b>5274016</b>	Shell, w/Silencer
21	<b>5274013</b>	Seal
22	<b>5274232</b>	Cover
23	<b>6033567</b>	Screw
24	<b>4470934</b>	Coupling, Upper
24	<b>4470937</b>	Coupling, Lower
25	<b>6500148</b>	Pin
26	<b>6502413</b>	Bolt, Coupling Upper
27	<b>6034206</b>	Pin, Coupling Upper Bolt
28	<b>4326672</b>	Switch, Turn/Sig. and Wiper
29	<b>4417836</b>	Switch, Ing./Start



1989 - 1991

1992

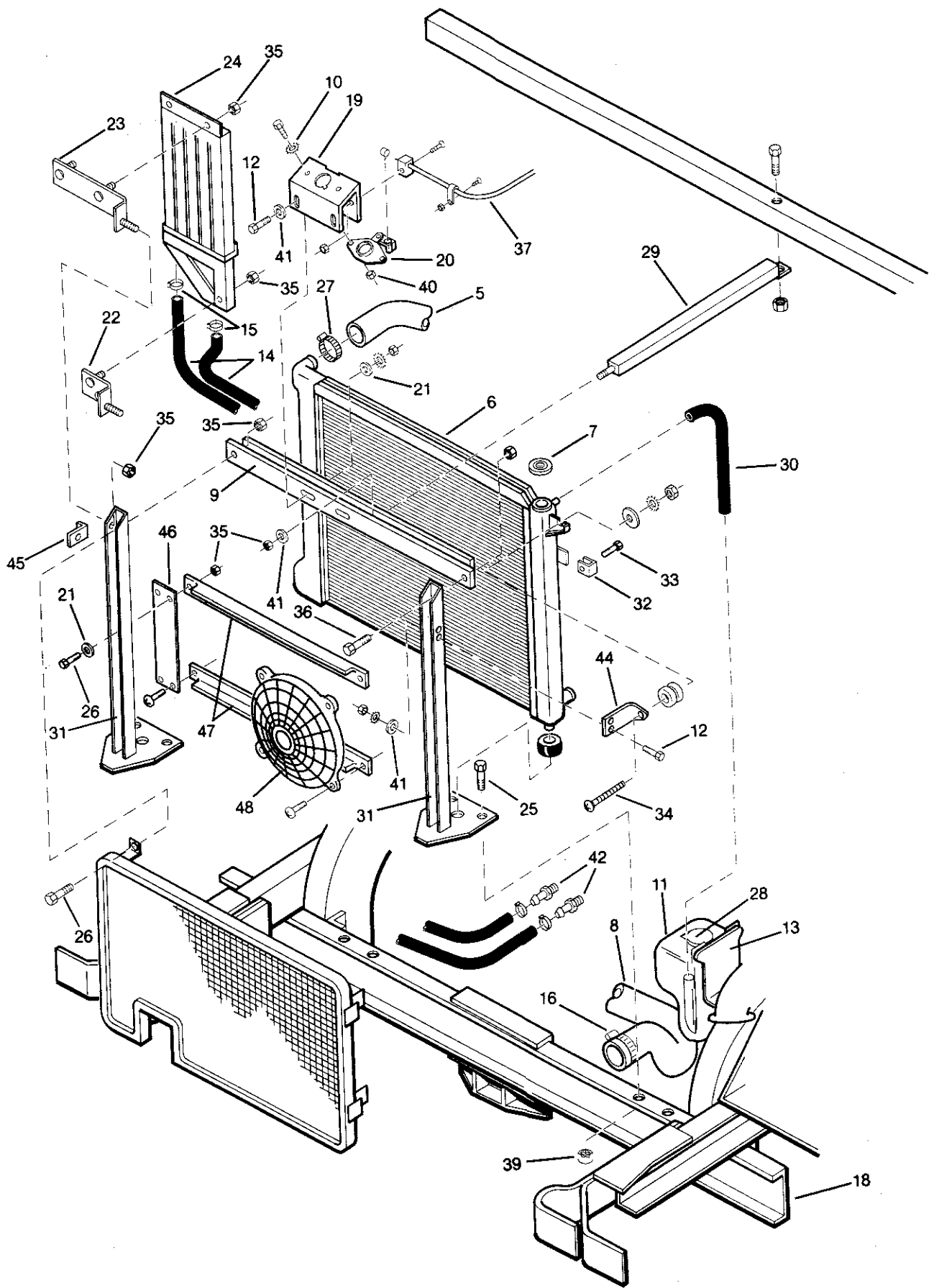
# Aeromate Walk-In Van

Utilimaster Motor Corporation

## Section 6.6

Steering Wheels - See Chrysler Parts Manual for additional information

Item	1989-1991	1992	Description
1	<b>P254HS8</b>		<i>1989-1991 Steering Wheel</i>
2	<b>P255HS8</b>		Wheel, Steering, (Charcoal)
3	<b>6500906</b>		Pad, Horn, (Charcoal)
4	<b>4304852</b>		Nut
5			Contact, Terminal
			Screw, (Not Serv.)
			<i>1992 Steering Wheel</i>
1		<b>6500906</b>	Nut
2		<b>WM15JD5</b>	Wheel, Steering, (Quartz)
3		<b>DH67JD5</b>	Pad, Horn, (Quartz)
4		<b>4504380</b>	Clockspring Package, w/Tilt, w/o Air Bag
5		<b>6500274</b>	Nut, w/Washer
6		<b>4565041</b>	Bar, Trim, w/Speed Control, w/Sport Wheel, w/ or w/o Air Bag
7		<b>4470350</b>	Button Package
8		<b>WK94JD5</b>	Plug, Horn Pad Hole, (Quartz)



Engine Cooling System Assembly  
7-1

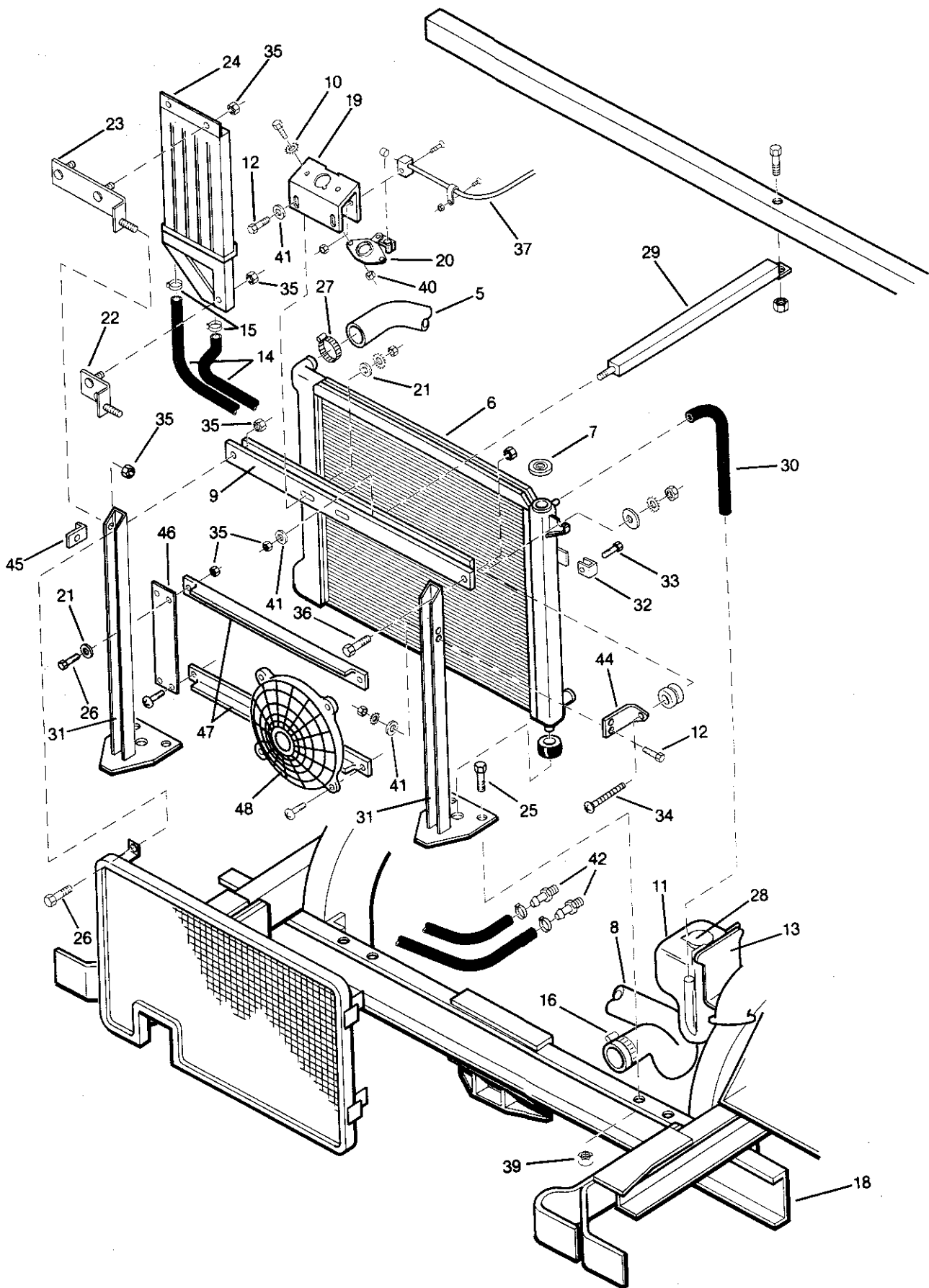
# Aeromate Walk-In Van

Utilimaster Motor Corporation

## Section 7.1

Engine Cooling System Assembly - See Chrysler S-Body Manual for additional information

Item	1989-1990	1991-1992	Description
1	<b>4339437</b>	NA	Shroud (Included in Item 6) (Not Shown)
2	<b>4240495</b>	NA	Motor, Fan (Included in Item 6) (Not Shown)
3	<b>4266293</b>	NA	Fan (Included in Item 6) (Not Shown)
4	<b>6032229</b>	01101847	Clamp, Inlet Hose (Engine End) Not Shown
5	<b>4266696</b>	01400272	Hose, Inlet (Upper)
6	<b>4266806</b>		Radiator, Assembly ('89)
6	<b>4401045</b>		Radiator Assembly ('90)
6		<b>4401969</b>	Radiator Assembly ('91)
6		<b>4401974</b>	Radiator Assembly ('92)
7	<b>3781830</b>	01760106	Cap, Radiator
8	<b>4401192</b>		Hose, Outlet (Lower)
8		01400273	Hose, Outlet
9	22000299		Bracket, Upper Radiator ('89)
9	22001261		Bracket, Upper Radiator ('90 4-Cylinder)
9	22000677		Bracket, Upper Radiator ('90 6-Cylinder)
9		22000677	Bracket, Upper Radiator ('91 - '92 6-Cylinder)
10	11008411		Washer, Star #10
11	<b>4401304</b>		Tank, Coolant Reserve
12	11305917	11305917	Bolt, 1/4-20 X 1/2" THTMS Gr 5
13	01100540	01100130	Bracket, Radiator Coolant Bottle
14		01400724	Hose Assembly, Cooler (5/16 Hose)
15	<b>6032839</b>	01101774	Clamp, Hose Cooler
16	<b>2448763</b>	01101346	Clamp, Outlet Hose (Radiator End)
17	<b>6032277</b>	01101818	Clamp, Outlet Hose (Engine End) (Not Shown)
18	01100508	01100128	Channel, Front Engine Mount
19	22100085	22100687	Bracket, Hood Pin Catch
19		22100268	Bracket, Hood Pin Catch (Late '91)
20	08200014	08200014	Catch, Assembly, Hood
20		<b>4534017</b>	Catch, Assembly, Hood (Late '91)
21	11008114	11008114	Washer, Flat 1/4
22	01100519	01100131	Bracket, Lower Transaxle Cooler
23	01100518	01100132	Bracket, Upper Transaxle Cooler
24	<b>4401391</b>	01101772	Cooler, Transmission Oil
25	11004468	11004468	Bolt, 5/16-18 HHCS X 1" Gr 5
26	11005609	11005609	Bolt, 1/4-20 X 3/4" HHCS Gr 5
27	<b>3683824</b>	01101848	Clamp, Inlet Hose (Radiator End)
28	<b>4266968</b>	01760166	Cap, Coolant Reserve Tank
29	22100077	22100680	Bracket, Firewall to Radiator
30	01400770	01400770	Hose, Radiator Overflow (3/8 Hose)
31	<b>2200126</b>		Bracket, Radiator Support Lower (4- Cylinder only)
31	22000400		Bracket, Radiator Support Lower ('90 6- Cylinder only)
31		22002002	Bracket, Radiator Support Lower
32	06100041		Clip, Threaded
33	06501013		Bolt
34	11005650	11005650	Bolt, 1/4-20 X 2" HH Gr 5
35	11000903	11000903	Nut, Locking 1/4-20
36	11005597	11005597	Bolt, 1/4-20 X 1" HH Gr 5



Engine Cooling System Assembly



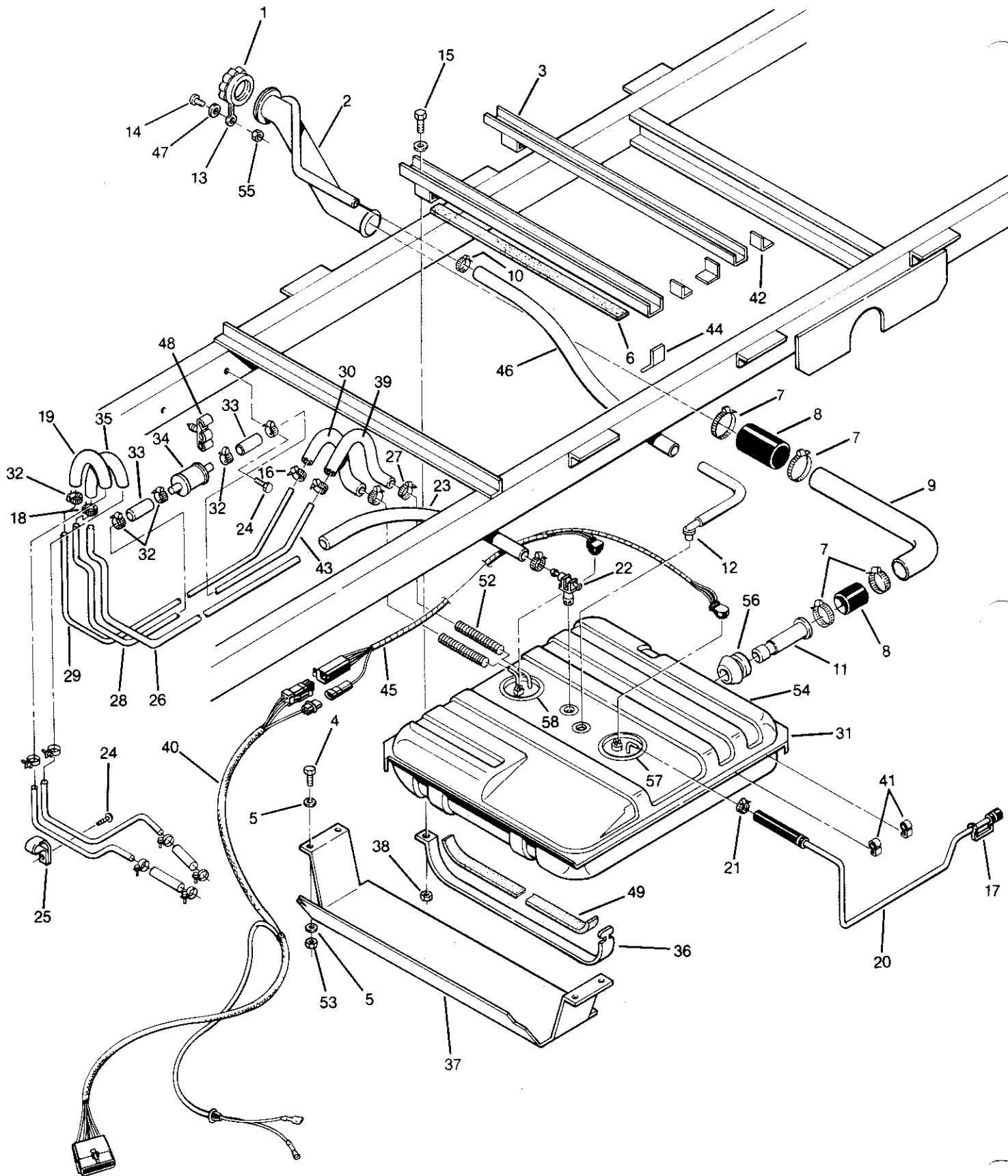
# Aeromate Walk-In Van

Utilimaster Motor Corporation

## Section 7.1

Engine Cooling System Assembly - *See Chrysler S-Body Manual for additional information*

Item	1989-1990	1991-1992	Description
37	08706743	08700051	Cable, Hood Latch
37		<b>4534014</b>	Cable, Hood Latch, Late '91
38	<b>4266291</b>	<b>4266690</b>	Fan Assembly (Included in Item 6)
39	11006954	11006954	Nut, Nylock 5/16-18 UNC
40	01106937	01106937	Nut, Nylock #10-32
41	11008003	11008003	Washer, Flat 1/4"
42	<b>4446725</b>		Connector, Oil Cooler Hose
43	<b>2210008</b>		Bracket, Radiator Mounting Support (Not Shown)
44		22000676	Radiator, Mounting Left
45	22001260	22001260	Radiator, Mounting Right
46	NA	22001263	Bracket, Cond. Fan to Radiator Support
47		22103023	Bracket, Fan Assembly
48	17999800	17999800	Air Conditioner Fan Assembly



Fuel System Assembly  
8-1

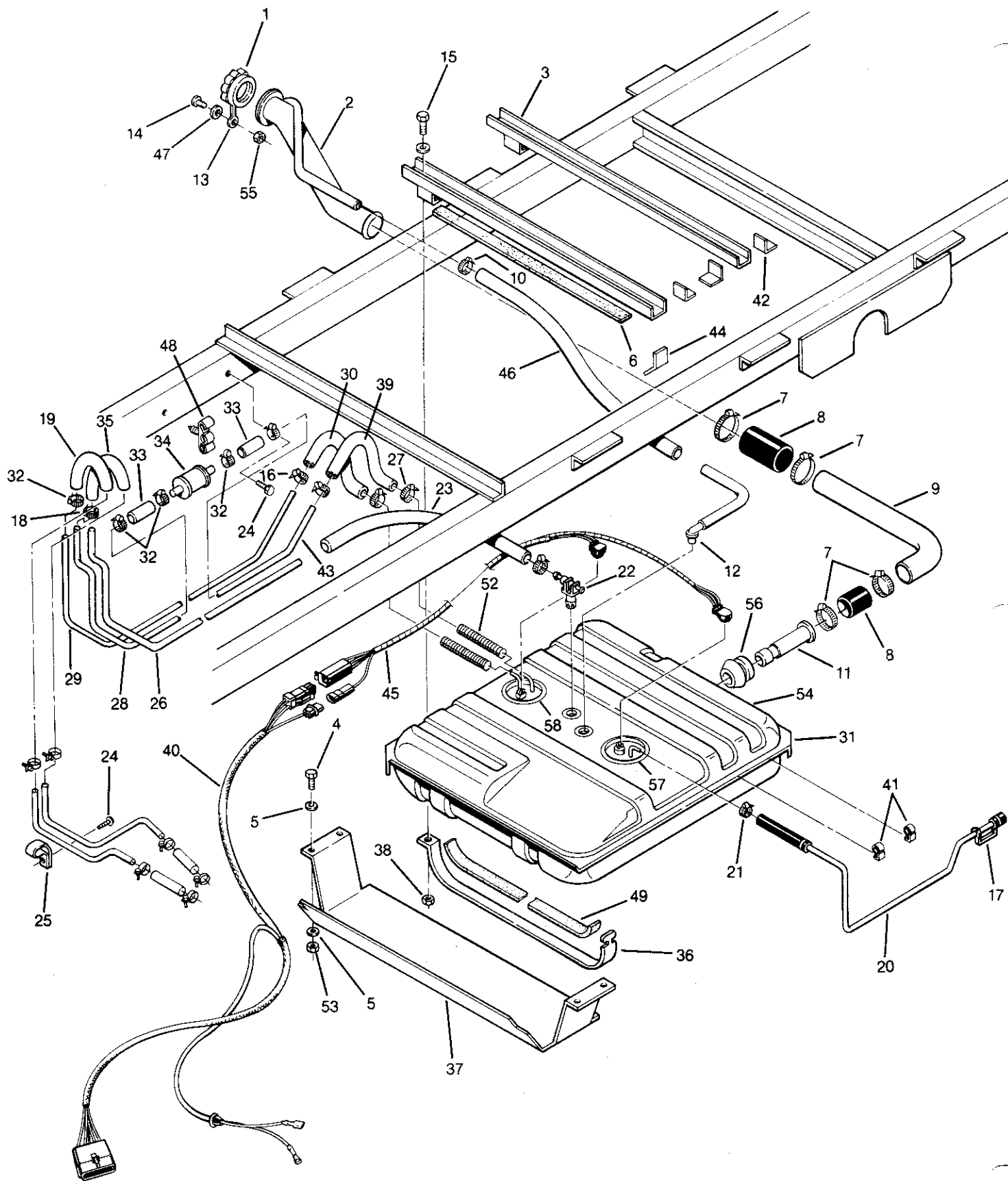
# Aeromate Walk-In Van

Utilimaster Motor Corporation

## Section 8.1

Fuel System Assembly - See Chrysler S-Body Parts Manual for additional information

Item	1989-1990	1991-1992	Description
1	<b>4495151</b>	<b>4495151</b>	Cap, Fuel Filler Tube
2	01400017	01400017	Tube, Fuel Filler
3	01401003	01401003	Bracket, Fuel Tank Hanger
4	11004442	11004442	5/16-18 X 1 Gr 5 HHC5
5	11008417	11008417	Washer, Flat 5/16
6	12300903	12300903	Foam, 1/8 X 3 X 36
7	08707505	08707505	Clamp, Fuel Fill 2 Hose
8	01401001	01401001	Hose, Fuel Fill 1 3/4 X 8
9	01401006	01401006	Pipe, Fuel Fill Extension
10	08707416	08707416	Clamp, Hose 1 1/4
11	01400014	01400014	Fuel Fill Tube
12	<b>4279278</b>	<b>4279278</b>	Vent, Fuel Tank
13	<b>4279144</b>	<b>4279144</b>	Tether, Gas Cap (Included with Item 1)
14	11005597		Screw, 1/4-20 X 1 PPH
15	11004450	11004450	Bolt, Tank Mounting 5/16-18 X 1 1/2 HHCS
16	<b>6500651</b>	01101866	Clamp
17	01400700	01400700	Hose, Fuel Vent
18			Clamp
19	<b>4418074</b>	<b>4418074</b>	Hose, Return
20	<b>4418066</b>	<b>4418066</b>	Drain, Fuel Tank
21	<b>2806764</b>	<b>2806764</b>	Clamp, Drain Tube
22	<b>4279941</b>	<b>4279941</b>	Valve, Rollover
23	<b>4443178</b>	<b>4443178</b>	Hose, Fuel Vapor Tube Rear to Rollover 3/8" I.D.
24			Bolt, Self Tapping HHCS
25	01101614	01101614	Clamp
26	01000027	01000005	Tube, Vapor Line 3/16" O.D.
26		01000122	Tube, Vapor Line 3/16" O.D. (Late '91)
27	<b>6500650</b>	01101867	Clamp
28	01000025	01000003	Line, Front Fuel Feed 5/16" O.D.
28		01000121	Line, Front Fuel Feed 5/16" O.D. (Late '91)
29	01000026	01000004	Line, Fuel Return 1/4" O.D.
29		01000120	Line, Fuel Return 1/4" O.D. (Late '91)
30	<b>4418070</b>	<b>4418070</b>	Hose and Sleeve, Fuel Return
30		<b>4418932</b>	Hose and Sleeve, Fuel Return (Late '91)
31	<b>4203807</b>	<b>5217983</b>	Tank, Fuel
32	<b>6500651</b>	01101866	Clamp
33	<b>4443180</b>	<b>4443180</b>	Hose, Fuel Filter Inlet 5/16" I.D.
34	<b>4418090</b>	<b>4418090</b>	Filter, Fuel
35	<b>4418241</b>	<b>4418241</b>	Hose, Supply
36	01401004	01401004	Strap, Fuel Tank Mounting
37	01400071	01400071	Guard, Fuel Tank Rock
38	11000799	11000799	Locknut, Stover 5/16-18
39	<b>4418069</b>	<b>4418069</b>	Hose and Sleeve, Fuel Supply
39		<b>4418951</b>	Hose and Sleeve, Fuel Supply (Late '91)
40	16403005	16400654	Harness, Wiring - Fuel Tank
40		16400662	Harness, Wiring - Fuel Tank (Late '91)
41	<b>4418098</b>	<b>4418098</b>	Clip, Drain Tube



Fuel System Assembly

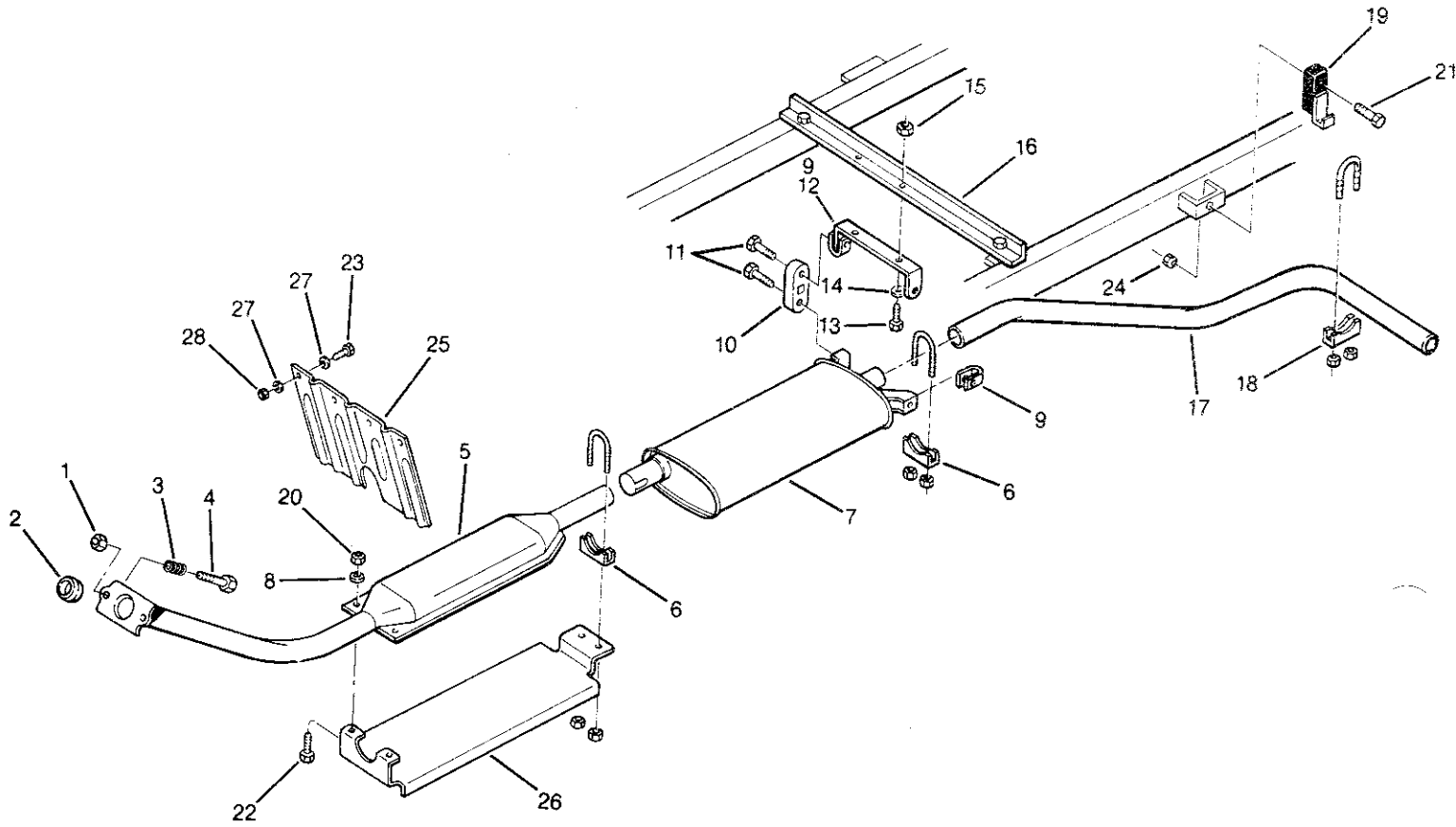
# Aeromate Walk-In Van

## Utilimaster Motor Corporation

### Section 8.1

Fuel System Assembly - *See Chrysler S-Body Parts Manual for additional information*

Item	1989-1990	1991	Description
42	22300002	22300002	Angle, Fuel Tank Hanger
43	01000018	01000018	Line, Rear Fuel Feed 5/16" O.D.
43		01000123	Line, Rear Fuel Feed 5/16" O.D. (Late '91)
44	01401005	01401005	Angle, Fuel Tank Strap
45	<b>4400312</b>		Harness, Fuel Tank Wiring (Early '89)
45	<b>4450881</b>	<b>4450881</b>	Harness, Fuel Tank Wiring
45		<b>4625366</b>	Harness, Fuel Tank Wiring (Late '91)
46	01400697	01400697	Hose, Fuel Fill Vent 5/8" I.D.
47	11008114	NA	Washer, Flat 1/4"
48	11001616	11001616	Clip, Fuel Line
49	12300903	12300903	Foam Tape 1/8 X 3 X 36
50	01400731	01400731	Hose, Fuel Fill 1 3/4" I.D.
51	11004446	11004446	Bolt, 5/16-18 UNC Gr 5 X 1 1/4 HHCS (Not Shown)
52	<b>4279205</b>	<b>4279205</b>	Sleeve, Fill Vent
53	11006954	NA	Nut, Lock 5/16-18
54	<b>5217578</b>	<b>5217578</b>	Gasket, Fuel Fill to Gas Tank (Not Shown)
55	11000903	NA	1/4-20 Nylock
56			Grommet, Rubber Gas Tank (PIA Gas Tank)
57	<b>4419619</b>		Fuel Sending Unit ('89-90 4-Cylinder only)
58	<b>4495088</b>		Fuel Pump ('89-90 4-Cylinder)
58	<b>5217856</b>		Fuel Pump ('90 6-Cylinder & Turbo)
58		<b>5217988</b>	Fuel Pump & Sending Unit (6 Cylinder) - One Unit



Exhaust System Assembly  
9-1

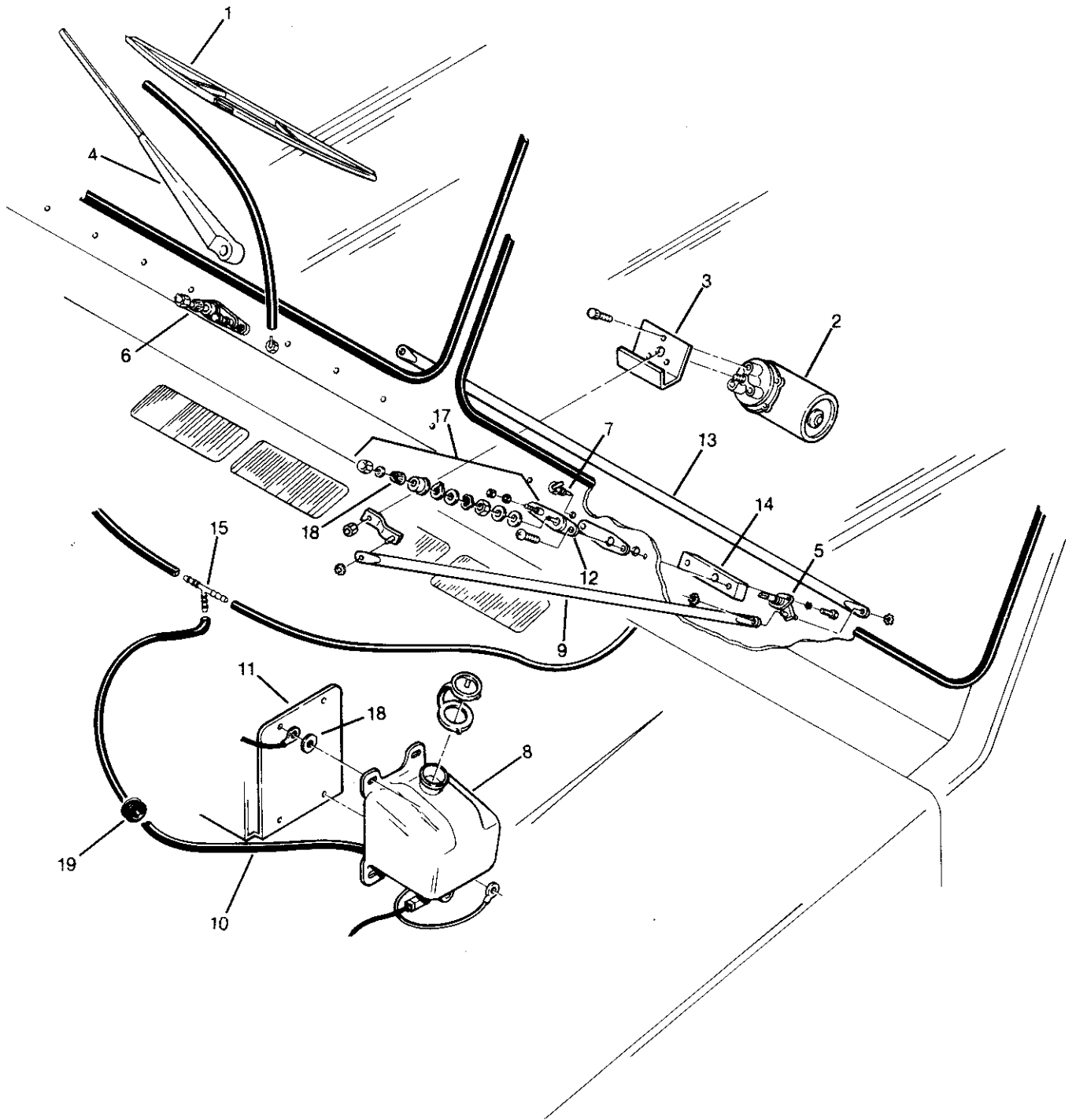
# Aeromate Walk-In Van

## Utilimaster Motor Corporation

### Section 9.1

Exhaust System Assembly - *See Chrysler S-Body Parts Manual for additional information*

Item	1989-1990	1991-1992	Description
1	06100499	06100499	Nut, Converter Flange
2	<b>4301350</b>	<b>4301350</b>	Ring, Seal 4 Cylinder
2	<b>4427008</b>	<b>4427008</b>	Ring, Seal 6 Cylinder and Turbo
3	<b>4301631</b>		Spring - 4 cylinder
3	<b>4427299</b>	<b>4427299</b>	Spring - V-6
4	<b>5217003</b>	<b>5217003</b>	Bolt, Shoulder
5	<b>4301851</b>		Converter, Catalytic w/pipe ('88)
5	<b>4427175</b>		Converter, Catalytic w/pipe ('89)
5	<b>4427257</b>	<b>4427257</b>	Converter, Catalytic w/pipe (4 Cylinder - '90-'92)
5	<b>4427561</b>	<b>4427561</b>	Converter, Catalytic w/pipe (Turbo - '90-'91)
5		<b>4427566</b>	Converter, Catalytic w/pipe (6 Cylinder)
5		<b>4427320</b>	Converter, Catalytic w/pipe (Late '91 6 Cylinder)
5		<b>4427685</b>	Converter, Catalytic w/pipe ('92 6 Cylinder)
6	<b>4301081</b>	<b>4301081</b>	Clamp, Muffler Inlet
7	<b>4301756</b>		Muffler ('88)
7	<b>4427121</b>	<b>4427121</b>	Muffler (4 Cylinder '89-'92)
7	<b>4427075</b>	<b>4427075</b>	Muffler ('90 - Turbo '90-'91)
7		<b>4427102</b>	Muffler (6 Cylinder)
7		<b>4495360</b>	Muffler (Late '91 6 Cylinder)
8	11002810	11002810	Washer, Lock 5/16 SS
9	06100042	06100042	Clip, U-Nut (Assembly includes #12)
10	<b>4427092</b>	<b>4427092</b>	Insulator, Muffler Support
10		<b>4301960</b>	Insulator, Muffler Support
11	06500306	06500306	Bolt, Shoulder
12	<b>4301754</b>	<b>4301754</b>	Bracket, Muffler Support to Crossmember
13	11004510	11004510	Bolt, 3/8-16 X 1 Gr 15 HHCS
14	11008099	11008099	Washer, Flat 3/8"
15	11000811	11000811	Nut, Lock 3/8-16
16	01100522	01100522	Crossmember, Muffler Support
17	01100532	01100532	Pipe, Exhaust
18	<b>4301081</b>	<b>4301081</b>	Clamp
19	08707351	08707351	Strap, Pipe Hanger
19		22101000	Strap, Pipe Hanger (Late '91)
20		11006954	Nut 5/16-18
21	11004442	11004442	Bolt, 5/16-18 X 1 HHC5 Gr 5
22	11004443	11004443	Bolt
23	11004443	11004443	Bolt
24	11006954	11006954	Nut, Nylock 5/16-18
25	01900578	01900578	Shield, Catalytic Heat - Fiberglass
26	22100080	22100080	Shield, Catalytic Heat - Underside
27	11008147	11008147	Washer
28	11006954	11006954	Nut, 5/16-18



Windshield Wiper Assembly  
10-1



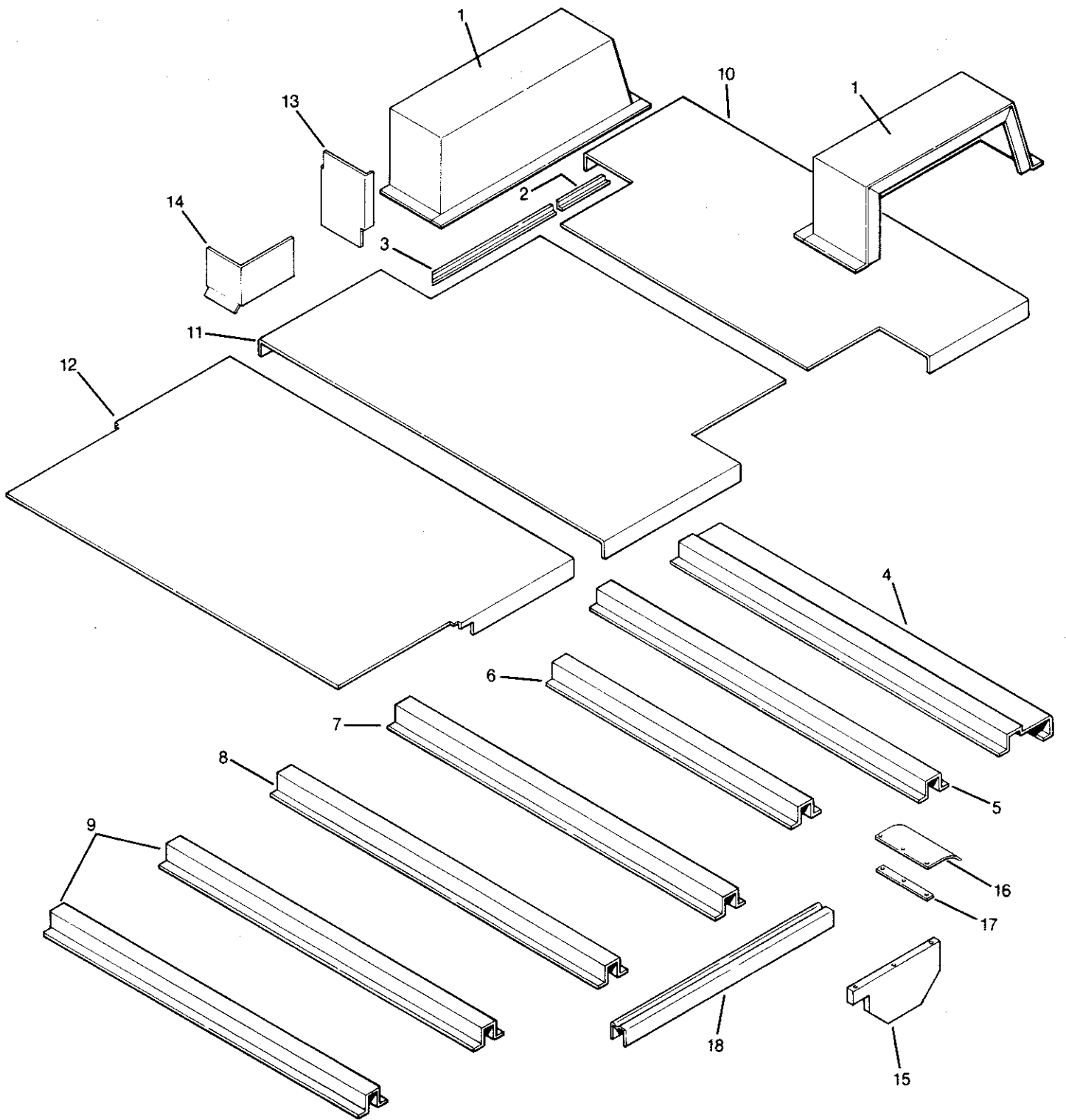
# Aeromate Walk-In Van

Utilimaster Motor Corporation

## Section 10.1

### Windshield Wiper Assembly

Item	1989-1990	1991-1992	Description
1	08700059	08700177	Blade, Wiper (Early '91)
1		08700059	Blade, Wiper (Sprague)
2	08706730	08706730	Motor, Assembly
2		08700053	Motor, Assembly (Sprague)
3	22001002	08706729	Bracket, Motor
4		08700178	Arm Assembly, Pantograph (U.T.)
4		08700058	Arm Assembly, Pantograph (Sprague)
5	08706724	08706724	Shaft and Pivot Assembly, Left Hand
6	08706727	08706727	Shaft and Pivot Assembly, Right Hand
7	08700049	08700049	Elbow Nozzle with Nut
8	08706746	08706746	Washer Bottle and Motor
9	08706723	08706723	Link Assembly - Left Hand
9		08700055	Link Assembly - Left Hand (Sprague)
10	01400711	01400711	Hose, Washer 5/32"
11	15300351	22100379	Bracket, Washer Bottle
12	08706715	08706715	Plate, Pantograph Adaptor
13	08706726	08706726	Link Assembly - Right Hand
13		08700056	Link Assembly - Right Hand (Sprague)
14	08706720	08706720	Bracket, Mounting Pivot
15	19504926	08706747	Fitting, Tee
16	08700176	08700176	Hose Kit for U.T. Wiper Arm (Not Shown)
17		08700057	Outer Mount Hardware (Sprague)
18		08780114	Spline, Cone
19	16501200	16501200	Grommet, Wiper Washer



Floor Assembly - Sedan Door  
11-1

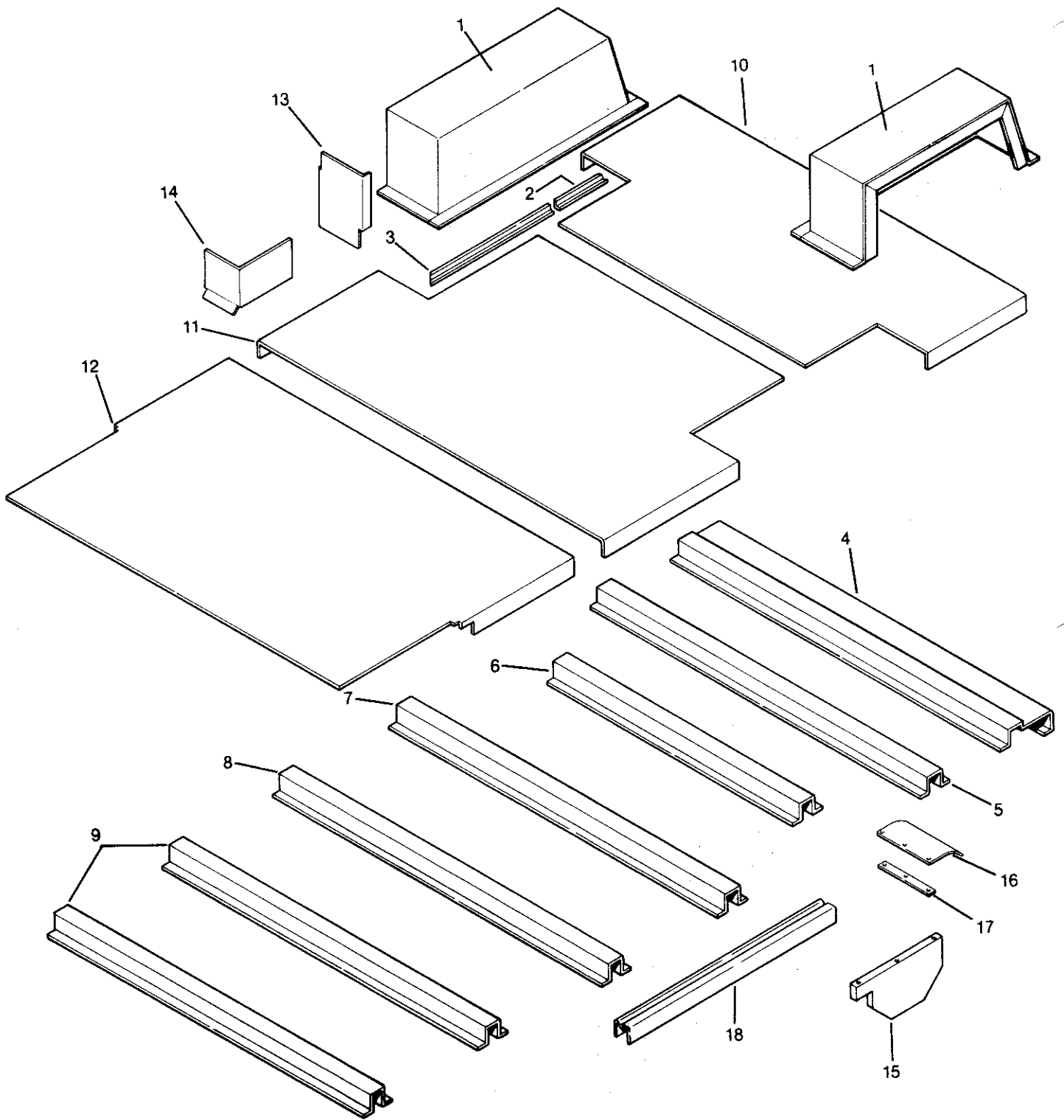
# Aeromate Walk-In Van

Utilimaster Motor Corporation

## Section 11.1

### Floor Assembly- Sedan Door

Item	1989-1990	1991-1992	Description
1	01302223	NA	Wheel Well Left or Right
1	NA	01300104	Wheel Well - Right
1	NA	01300105	Wheel Well - Left
2	06021802	NA	Aluminum Angle, 1 1/2 X 1 1/2 X 12 - Wheel Well to Floor
3	06021803	NA	Aluminum Angle, 1 1/2 X 1 1/2 X 20 - Wheel Well to Floor
3	NA	06021559	Aluminum Angle, 1 1/2 X 1 1/2 X 32 One Piece (Not Shown)
4	06025404	06025404	Crossmember, Rear Floor Threshold
5	06025902	06025902	Crossmember, 71 1/4
5		06013162-06825	Crossmember (Late '91)
6	06025903	06025903	Crossmember, 51 3/4 W.W.
6		06013162-04875	Crossmember, 51 3/4 (Late '91)
7	06026101	06026101	Crossmember, 71 1/4
7		06013187-06825	Crossmember, 71 1/4 (Late '91)
8	06025902	065025902	Crossmember
9	06025901	06025901	Crossmember, Front Floor 66 1/2
10	06510274	06510274	Floor Metal, Rear 71.75 X 35 7/8 X .125 with Sedan Door (1991 Only)
11	06510079	06510079	Floor Metal, 71 3/4 X 48 X .125 with Sedan Door (1991 Only)
12	06510081	06600380	Floor Metal, 71 3/4 X 48 X .125 with Sedan Door (1991 Only)
13	06511220	06511220	Shield, Fuel Fill
14	06600005	06600005	Guard, Fuel Hose Splash
15	20510009	20510009	Cover, Brake Proportioning Valve
16	01520207	01520207	Mud Guard, Rear (Optional)
17	06511225	06022065	Retainer, Mud Guard
18	06029351		Threshold, Door (48) Sedan (Left and Right)
18		06013124-04800	Threshold, Door (48) Sedan (Left and Right)
19		06535480	Floor Metal (1992 is One Piece, Not Shown)



Floor Assembly - Sliding Door  
11-3

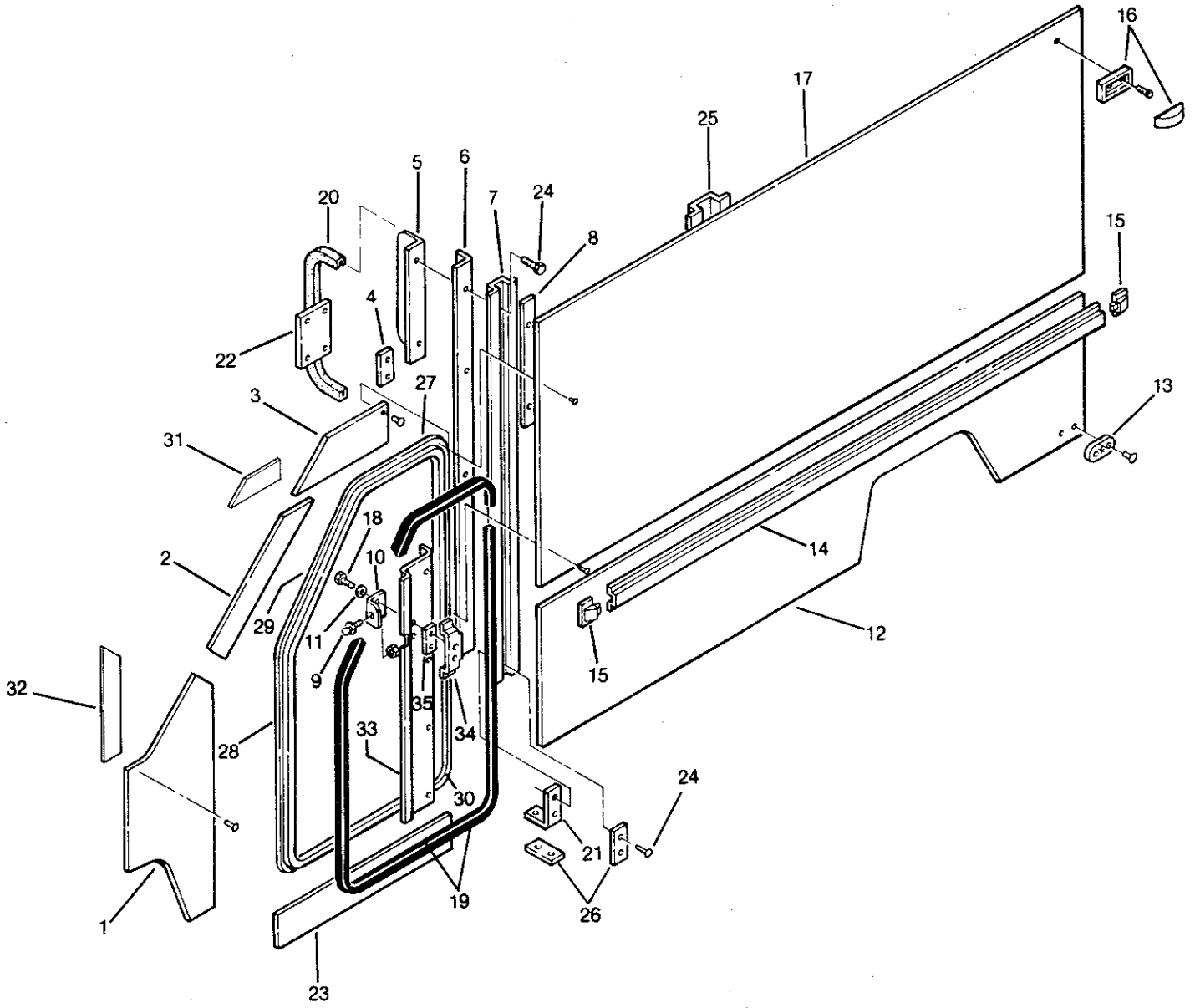
# Aeromate Walk-In Van

Utilimaster Motor Corporation

Section 11.2

Floor Assembly - Sliding Door

Item	1989-1990	1991-1992	Description
1	01302223	NA	Wheel Well Left or Right
1	NA	01300104	Wheel Well - Right
1	NA	01300105	Wheel Well - Left
2	06021802	NA	Aluminum Angle, 1 1/2 X 1 1/2 X 12 - Wheel Well to Floor
3	06021803	NA	Aluminum Angle, 1 1/2 X 1 1/2 X 20 - Wheel Well to Floor
3	NA	06021559	Aluminum Angle, 1 1/2 X 1 1/2 X 12 X 20 One Piece (Not Shown)
4	06025404	06025404	Crossmember, Rear Floor Threshold
5	06025902	06025902	Crossmember, 71 1/4
5		06013162-06825	Crossmember (Late '91)
6	06025903	06025903	Crossmember, 51 3/4 W.W.
6		06013162-04875	Crossmember, 51 3/4 W.W.
7	06026101	06026101	Crossmember, 71 1/4
7		06013187-06825	Crossmember, 71 1/4
8	06026102	06026102	Crossmember, 71 1/4
8		06013187-06650	Crossmember, 71 1/4 (Late '91)
9	06025901	06025901	Crossmember, Front Floor 66 1/2
10	06510274	06510274	Floor Metal, Rear 71.75 X 35 7/8 with Sliding Door (1991 Only)
11	06510080	06510080	Floor Metal, 71.75 X 48 with Sliding Door (1991 Only)
12	06535430	06535430	Floor Metal, 71.75 X 48 with Sliding Door (1991 Only)
13	06511220	06511220	Shield, Fuel Fill
14	06600005	06600005	Guard, Fuel Hose Splash
15	20510009	20510009	Cover, Brake Proportioning Valve
16	01520207	01520207	Mud Guard, Rear
17	06511225	06022065	Retainer, Mud Guard
18	06013352	06013352	Threshold, Door Slider (Left and Right)
19		06535479	Floor Metal (1992 is One Piece, Not Shown)



Sidewall - Sedan Door  
12-1

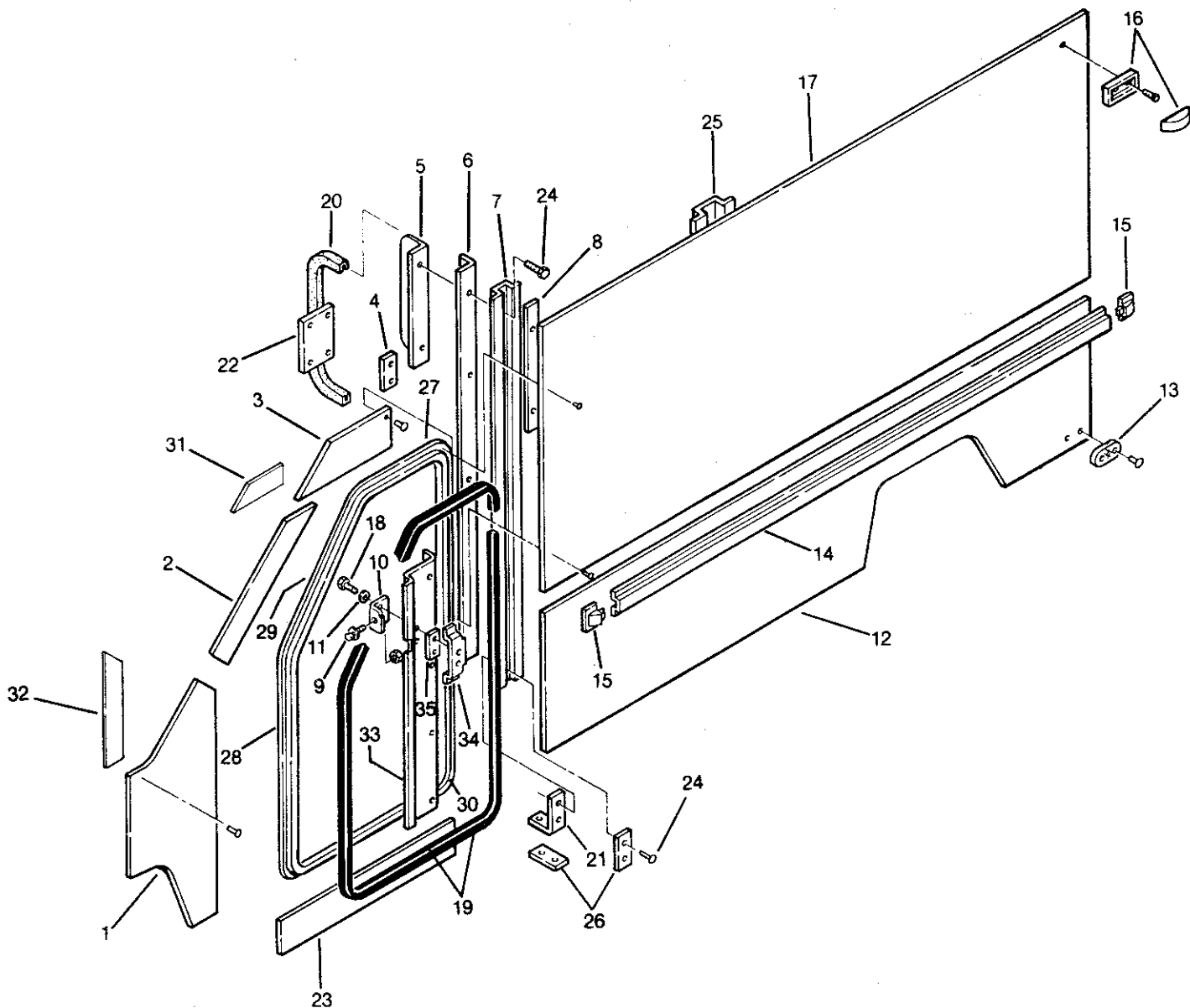
# Aeromate Walk-In Van

## Utilimaster Motor Corporation

### Section 12.1

### Sidewall - Sedan Door

Item	1988-9/90	9/90-1992	Description
1	06511136		Metal, Front Quarter - with Sedan Door Curb Side Until 2/19/90
1	06500429		Metal, Front Quarter with Sedan Door - Curb Side 2/19/90 - 9/24/90
1		06510100	Metal, Front Quarter with Sedan Door - Curb Side 9/25/90 on
1	06511135		Metal, Front Quarter with Sedan Door - Road Side To 9/24/90
1		06510101	Metal, Front Quarter with Sedan Door - Road Side 9/25/90 on
2	06511222	06510103	Metal, Front Door Spacer Post
3	06511030	06510105	Metal, Side Door Header - Sedan Door Lt
3	06511030	06510104	Metal, Side Door Header - Sedan Door Rt
4	06510256	06511042	Backer, Ceiling to Sidewall 2.688 X 5.063
5	01700691	01700691	Mount, D Ring Left Hand
5	01700692	01700692	Mount, D Ring Right Hand
6	06027503	06027503	Backer, 2 x 2 Angle 68 7/8
7	06020145	06020145	Stud, Front Sidewall 68 7/8
8	01700693	01700693	Backer Plate, D Ring Mount (1.5 X 20.0)
9	08700604	NA	Striker Pin (Modified)
10	22001008	NA	Plate, Striker Pin
11	11000600	NA	Washer, 3/8 Lock
12	06510251		Metal, Lower Sidewall with Sedan Door '88 -6/89
12	06510078		Metal, Lower Sidewall with Sedan Door 6/89 - 9/90 Left
12	06510077		Metal, Lower Sidewall with Sedan Door Right 6/89 - 9/90
12		06510115	Metal, Lower Sidewall with Sedan Door Left 9/90 up
12		06510116	Metal, Lower Sidewall with Sedan Door Right 9/90 up
13	15201710	15201710	Reflector
14	06020147	06020142	Rub Rail, 1 X 5 X 108.375
15	06800016	06800016	End Cap, Rub Rail
16	15200517	15200517	Light, Red Side Clearance
17	06510314	06510314	Metal, Upper Sidewall 48 X 113 3/8 with Sedan Door - Left Hand
17	06510250	06510250	Metal, Upper Sidewall 48 X 113 3/8 with Sedan Door - Right Hand
18	11004510	NA	Bolt, 3/8-16 X 1
19	05402098	NA	Seal, Swing Door
20	05302309	05302309	Trim, D-Ring Mount
21	06604074	NA	Brace, Floor-Sidewall
22	06510255	06511041	Backer, Ceiling to Sidewall Outer 3.4 X 6.5
23	06510254	06510102	Metal, Lower Side Door (2.125 X 36.375)
24			Bolt, Huckfast w/Collar 1/4
25	06020145	06020145	Stud, Wall 1 X 5 X 68.875
25	06020161	06020161	Stud, Wall 1.75 Thick Heavy Duty (Optional)
26	06510252	NA	Backer, Floor to Sidewall Brace
27	06025953	NA	Post, Upper Door - 21.505 Left
27	06025954	NA	Post, Upper Door - 21.505 Right
28	06025955	NA	Post, Front Door - 41.277 Left
28	06025956	NA	Post, Front Door - 41.277 Right
29	06025951	NA	Post, Upper Front Door - 28.539 Left
29	06025952	NA	Post, Upper Front Door - 28.539 Right
30	06025957	NA	Post, Door Rear - 64.655 Left
30	06025958	NA	Post, Door Rear - 64.655 Right
31	06511219	NA	Upper Door Post Spacer



Sidewall - Sedan Door



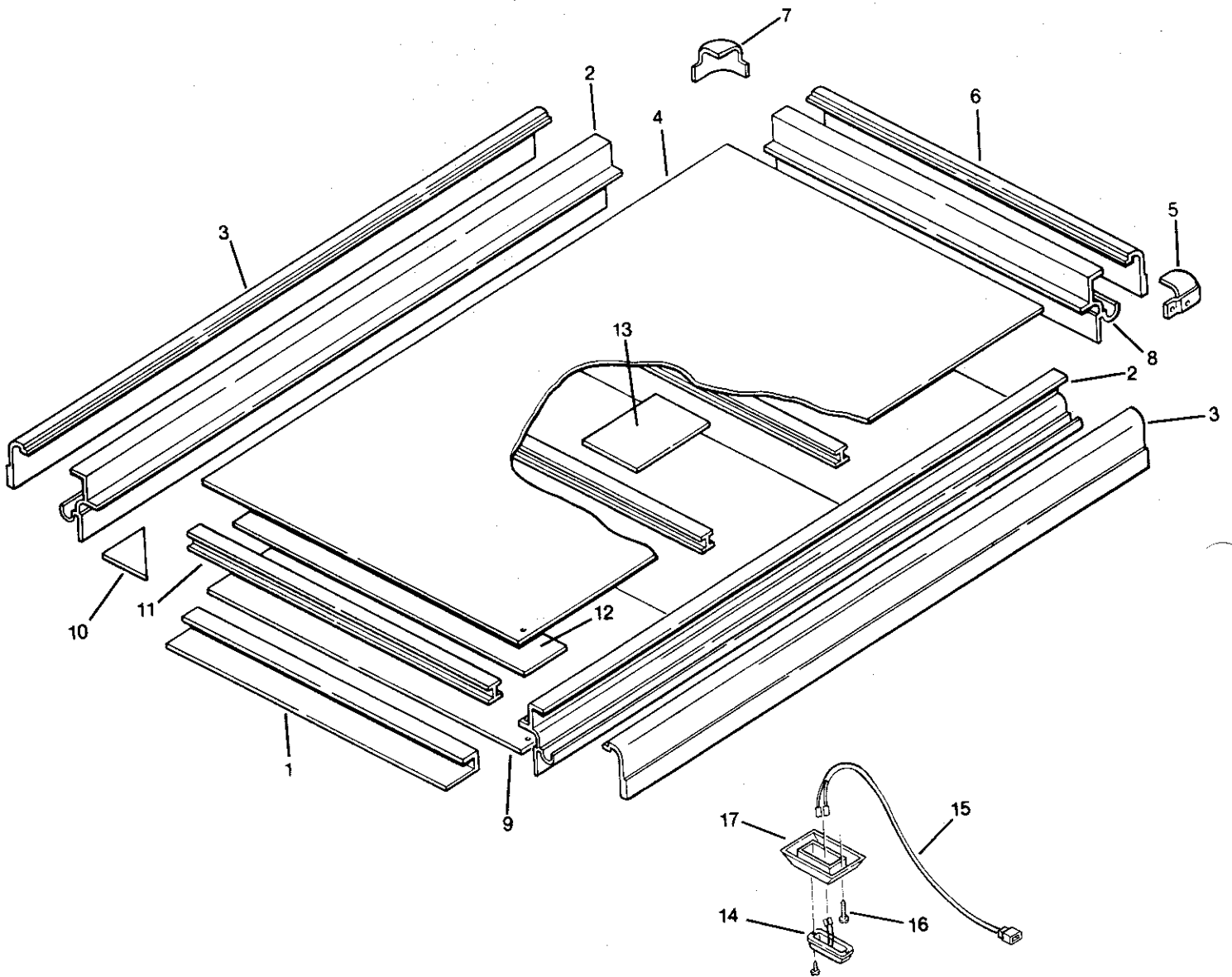
# Aeromate Walk-In Van

Utilimaster Motor Corporation

## Section 12.1

### Sidewall - Sedan Door

Item	1989-1990	1991	Description
32	06511218	NA	Front Door Post Spacer
33	06604073	NA	"B" Pillar Stiffener Lt.
33	06604072	NA	"B" Pillar Stiffener Rt. (Now Shown)
34	06510253	NA	Strike Nut Plate Retainer
35	22001007	NA	Striker Nut Plate
36	15200517	15200517	Light, Red Side Clearance (Not Shown)



Roof Assembly  
12-4

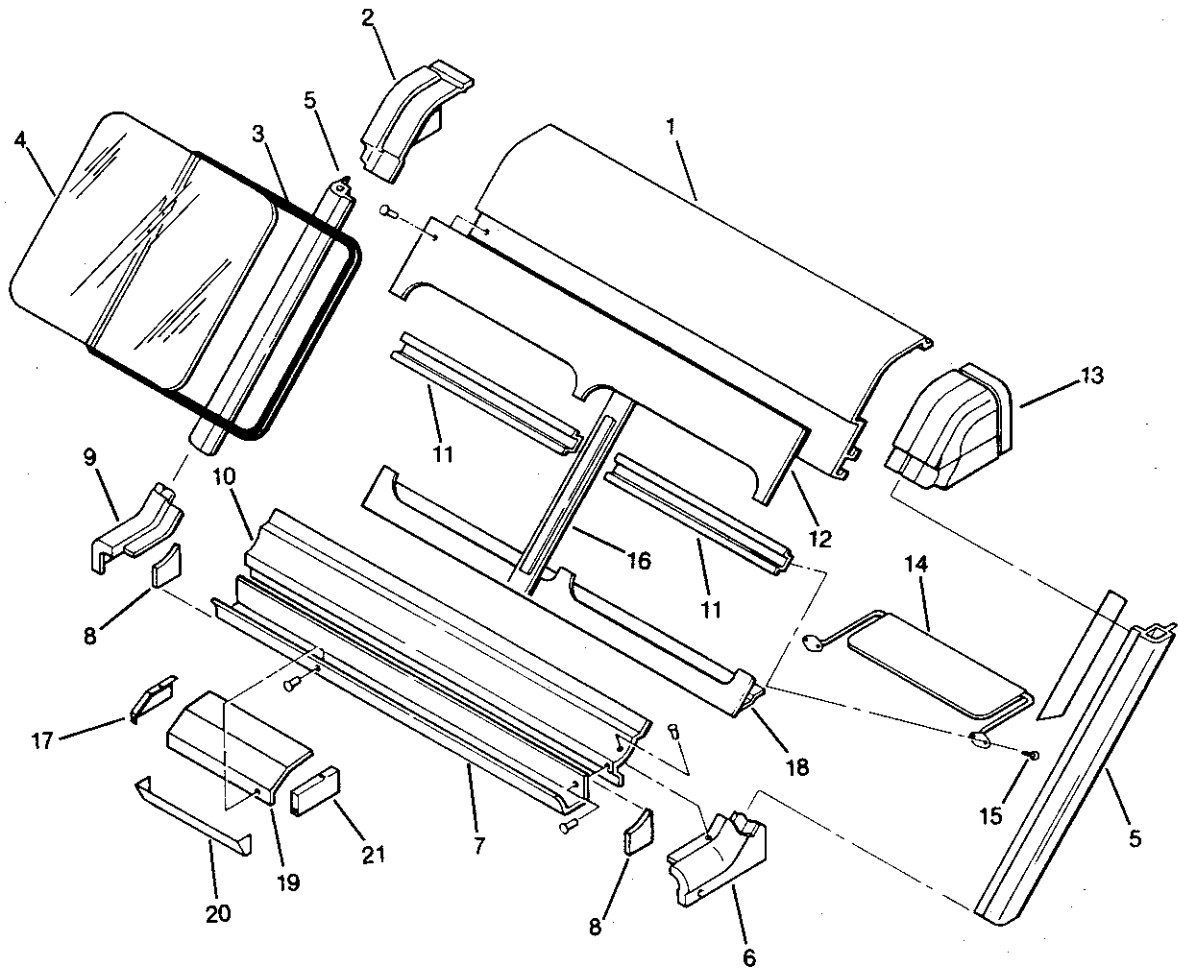
# Aeromate Walk-In Van

Utilimaster Motor Corporation

## Section 12.2

### Roof Assembly

Item	1989-1990	1991-1992	Description
1	06022405	06022405	Extrusion, Roof Front 69 3/4
2	06013033-12800	06013033-12800	Extrusion, Roof Edge 126.837
3	06024320	06024320	Cap Extrusion Roof Edge
4	06530031	06350031	Metal, Roof
5	06800017	06800017	Casting, LH Rear Corner
6	06024319	06024319	Cap Extrusion, Roof Edge 73
7	06800017	06800017	Casting, RH Rear Corner
8	06024129	06024129	Extrusion, Roof Edge 73
9	06530030		Metal, Interior Roof Liner (1-piece design)
9		06501209	Metal, Interior Roof Liner (2 pieces of a 3-piece design)
9		06501210	Metal, Interior Roof Liner Front Piece (1 piece of a 3-piece design)
10	06521109	06521109	Gusset, Roof
11	06021206	06021206	I-Beam, 1.5 X 1.5 X 67.6875"
12	06504194	06024773	Plate .125 X 10 X 67.625"
13	06070001	06070001	Plate, Light Backer .100 or .125 X 8.0 X 22.5
14	15202108	15202108	Light, Dome
15	16403002	16403002	Harness, Dome Light
16	11302525	11302525	Screw, Pan Head #8 x 2"
17	15202107	15202107	Shroud, Dome Light



Front Windshield Assembly  
12-6

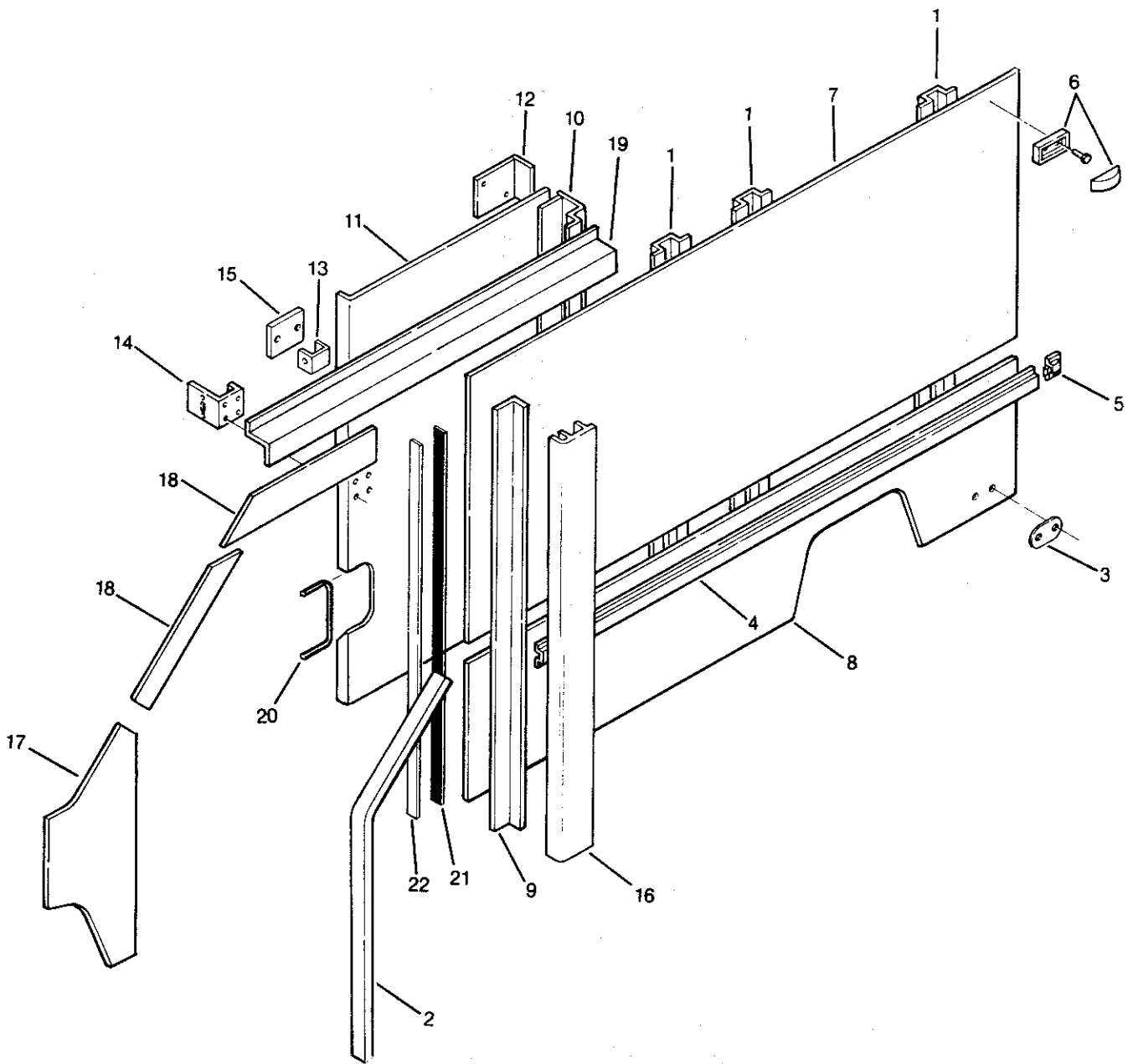
# Aeromate Walk-In Van

Utilimaster Motor Corporation

## Section 12.3

### Front Windshield Assembly

Item	1988 - 2/6/90	2/7/90 -1992	Description
1	06029151	06029151	Cap, Front Radius
2	06800013	06800013	Casting, RH Corner
3	09500024	09500024	Rubber, Windshield
3		05404000	Windshield Rubber ('92 Only)
4	09080328	09080328	Glass, Windshield 32 5/8" x 36"
4		09080400	Glass, Windshield 32.63 x 30.0" ('92 Only)
5	06022555	06022555	Post, Windshield Side
6	06800056	06800056	Casting, Windshield Tie-In Left Hand
7	06029251	06013305-06800	Cowling, Front Cowling
8	06511223	NA	End Cap, Cowling
9	06800057	06800057	Casting, Windshield Tie-In Right Hand
10	06029701	06013304-06800	Cowling, Middle IA 5285
11	06013404-03313	06013404-03313	Bracket, Sun Visor
12	06530027	06530027	Windshield Metal , .125 X 13.49 X 67.75" Complete
12		06500209	Windshield Metal ('92 Only)
13	06800012	06800012	Casting, LH Corner
14	13506369	13506369	Sunvisor
14		13015604	Sunvisor ('92 Only)
15	11301800	11301800	Screw, #8 x 1" PHPH TEK
16	06021152	06021152	Post, Windshield Center
16		06021163	Post, Windshield Center ('92 Only)
17	06604585	NA	Cap, Air Inlet Deflector
18	06029551	06029551	Channel, Dash Attachment 5.39 X 5.63 X 67.75
19	06604587	NA	Deflector, Air Inlet
20	06604586	NA	Air Inlet Rain Trough
21	06511221	NA	Front Cowling Heater Baffle
22	54252080	54252080	Windshield Assembly Welded Frame (Includes items: 5, 11, 12, 16, & 18)
22		54252164	Windshield Assembly Welded Frame ( '92 Only Includes items 5, 11, 12, 16, & 18)



Sidewall - Sliding Door  
12-8

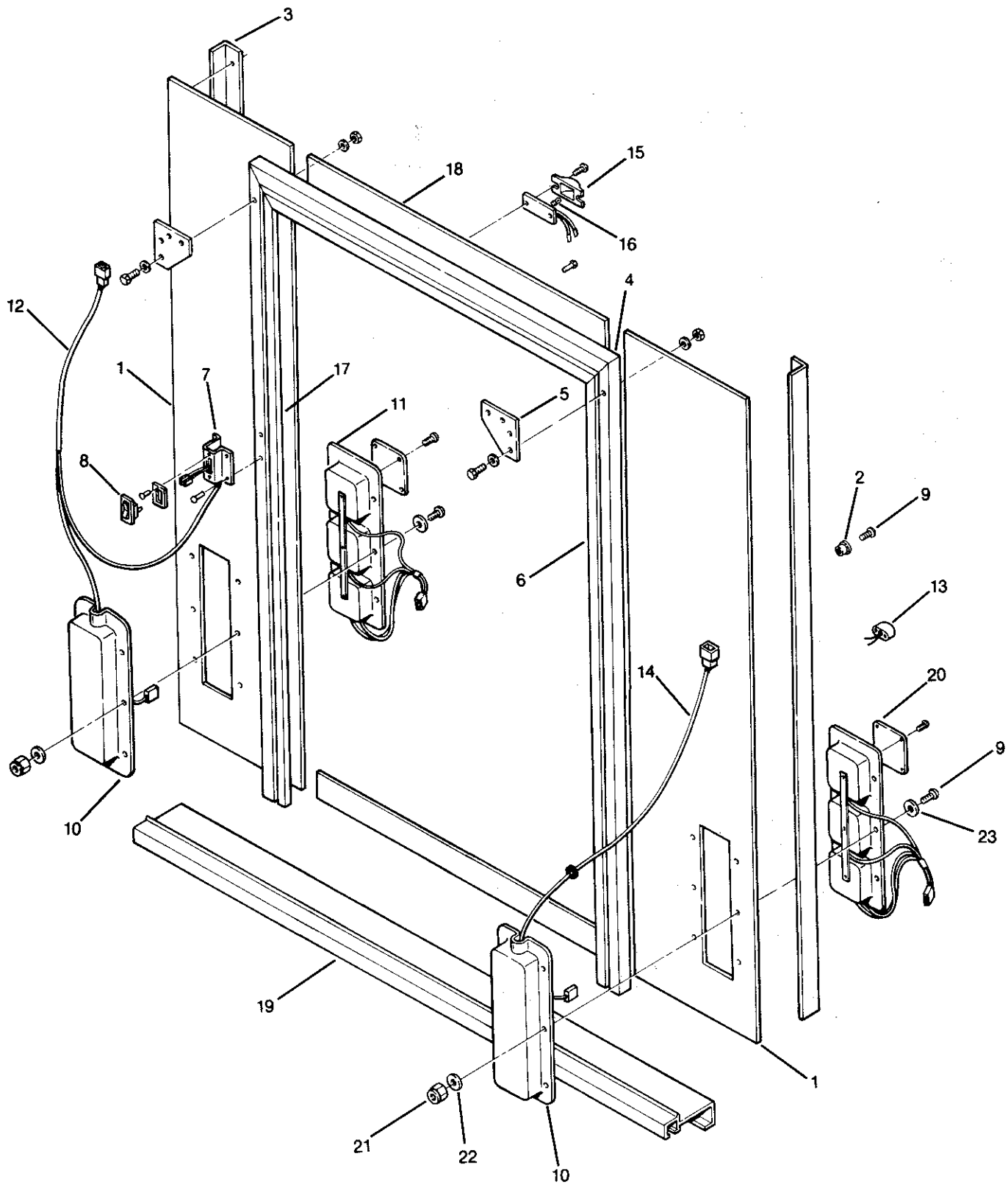
# Aeromate Walk-In Van

Utilmaster Motor Corporation

## Section 12.4

### Sidewall - Sliding Door

Item	1989-1990	1991-1992	Description
1	06020145	06020145	Stud, Front Sidewall 68 7/8
1	06020161	06020161	Stud, Front Wall H.D. 1.75 Thick (Opt)
2	06024504	06024504	Channel, Front Door Seal - Right
2	06024505	06024505	Channel, Front Door Seal - Left
3	15201710	15201710	Reflector
4	06020142		Rub Rail, 1 X 5
4		06013038-10781	Rub Rail, 1 X 5
5	06800016	06800016	End Cap, Rub Rail
6	15200517	15200517	Light, Red Side Clearance
7	06510283	06510283	Metal, Upper Sidewall Right Hand Slider
7	06510319	06510319	Metal, Upper Sidewall Left Hand Slider
8	06510312	06510312	Metal, Lower Side Right Hand
8	06510313	06510313	Metal, Lower Side Left Hand
9	06024763	06024763	Post, Front Sidewall
9		06001991-07325	Post, Front Sidewall ('92 Only)
10	06023954	06023954	Extrusion, Aluminum Door Pocket Spacer
11	06510268	06510268	Door, Pocket Left Hand
11	06510269	06510269	Door, Pocket Right Hand
12	06600006	06600006	Cover, Door Pocket .10 X 4.5 X 5 X Form
13	22100062	22100062	D-Ring Mount
14	22100063	22100063	Retractor Mount
15	22001011	22001011	Plt D-Ring Backing 10 GA X 3 X 4
16	06022211	06022211	Drip Cap, Sidewall Post
16		06001992-07325	Drip Cap, Sidewall Post ('92 Only)
17	06510276	06510276	Metal, Front Quarter with Sliding Door Left (2/6/90 on up)
17	06510288		Metal, Front Quarter with Sliding Door Left ('88 thru 2/6/90)
17		06511082	Metal, Front Quarter with Sliding Door Right (2/6/90 on up)
18	06510266	06510266	Metal, Front 'A' Plr 10 X 2.375 X 26.436
19	06510275	06510275	Metal Header
20	05302309	05302300	Trim, Jiffy Black #1008-3
21	01520204	01520204	Seal, Sidewall - 6 Ft
21		10997129	Seal, Sidewall - 6 Ft
22	06022075	06022075	Door Seal Trim



Rear Wall Assembly - Swing Doors  
12-10



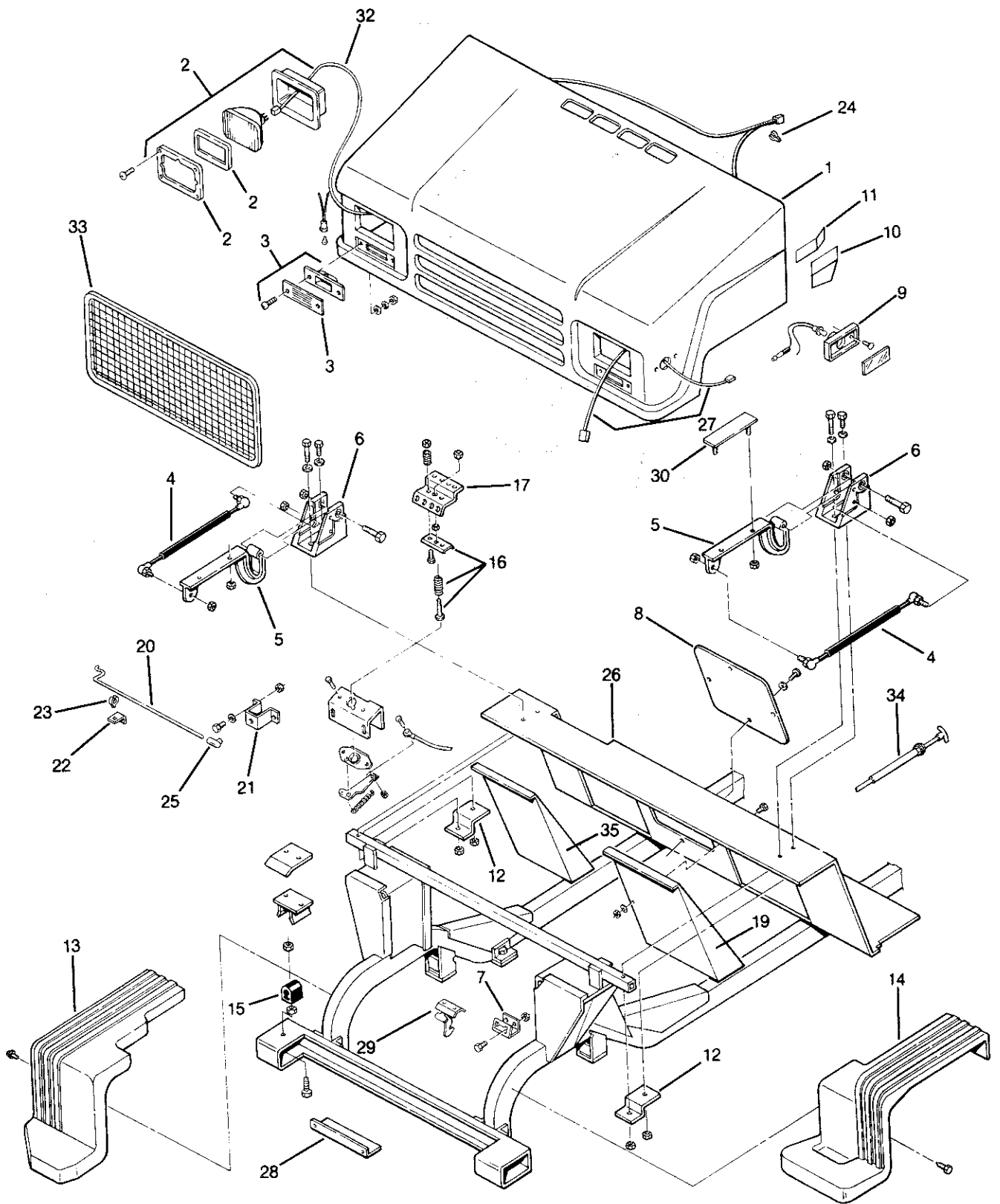
# Aeromate Walk-In Van

## Utilimaster Motor Corporation

### Section 12.5

### Rear Wall Assembly - Swing Doors

Item	1989-1990	1991-1992	Description
1	06510263	06510263	Panel, Rear Wall .125 Aluminum w/23 Door - Left Side
1	06510350	06510350	Panel, Rear Wall .125 Aluminum w/23 Door - Right Side
2	11000803	11000803	Wellnut
3	06027502	06027502	Angle, Rear .125 Metal
4	06022905	06022905	Post, Rear Door Upper Jamb 51 1/4
5	06510261	06510261	Gusset, Upper Rear Door
6	06022902	05022902	Post, Rear Door Left
7	06604075	06604075	Bracket, Rocker Switch
8	16000001	16000001	Switch, Rocker
9	11305092	11305092	Screw, Phillips 1/4-20 x 3/4"
10	15200630	15200630*	Shield, Taillight (*Both Sides)
11	15204106	15204106	Taillight
12	16403007	16403007	Harness, Right Rear Lamp
13	15204108	15204108	Light, License
14	16403003	16403003	Harness, Left Rear Lamp
15	15206131	115206131	Light, Red Rear Brake
16		16505533	Bulb, #90911 Grote
17	06022903	06022903	Post, Rear Door Right
18	06510262	06510262	Metal, Upper Rear Door (23" Door)
19	06025404	06025408	Threshold, Rear
20		16407119	Lense, Rear Stop (Red)
20		16407120	Lense, Rear Turn (Amber)
20		16407121	Lense, Rear Back-up (Red & White)
21		11000822	Kepnut - 1/4-20
22		11008112	Washer, Flat - 1/4"
23		11008175	Washer, Neobond - 1/4"



Hood & Firewall Assembly - '88 Through 2-6-'90  
13-1

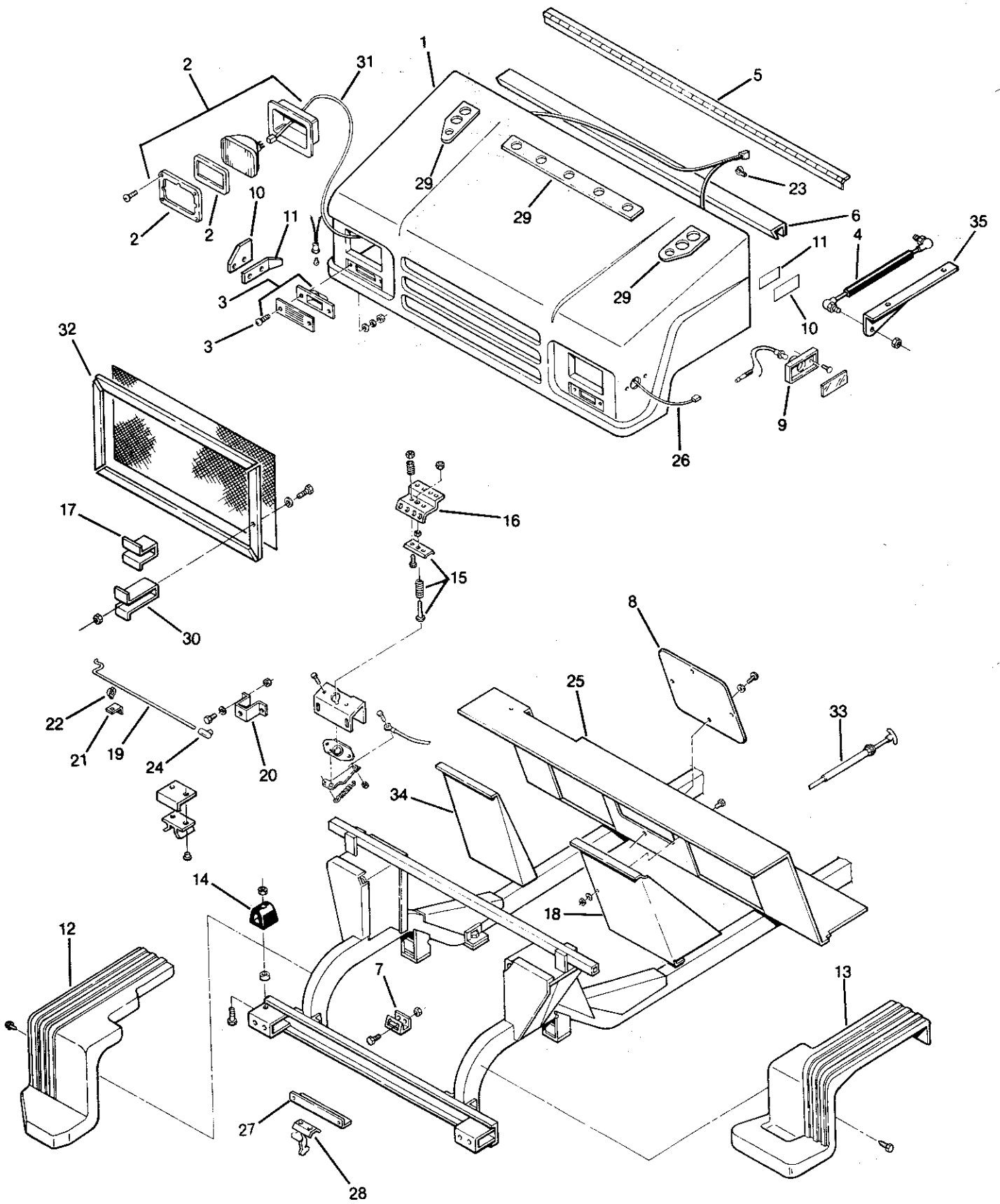
# Aeromate Walk-In Van

Utilimaster Motor Corporation

## Section 13.1

### Hood & Firewall Assembly - '88 Through 2-6-'90

Item	1989-1990	Description
1	01900541	Front Hood Assembly
2	15206129	Headlight Assembly
3	15204445	Turn Light Assembly
4	08700011	Gas Spring
5	08700610	Hinge, Hood
6	08700609	Bracket, Hood Hinge
7	22100092	Catch, Secondary Hood
8	06600020	Cover, Firewall Inspection
9	15200315	Cornering Light
10	22100017	Shim, Hood Alignment
11	22100016	Guide, Hood Alignment
12	01702196	Backer Plate, Hinge Base
13	01300545	Splashshield, Front Right Side
14	01300544	Splashshield, Front Left Side
15	01100442	Rubber, Bumper
16	08200014	Center Hood Latch Assembly
17	22100084	Bracket, Hood Pin
18	22100353	Bracket, Bug Screen - Upper
		19A, B and C are Welded Assembly
19A	06600060	Pan, Steering Wheel Inset
19B	06600051	Pan, Steering Wheel Inset Right
19C	06600055	Pan, Steering Wheel Inset Left
20	22100067	Prop, Hood
21	22100066	Bracket, Prop Mount
22	22100039	Bracket, Catch Mount
23	08705474	Catch, Prop
24	08707476	Clamp, Headlight Wire
25	08705473	Pivot, Prop
26	06600013	Firewall, Metal - Sedan Through 9/27/90
26	06630006	Firewall, Metal - Slider
27	16403006	Harness, Left Head Lamp
28	22100089	Bracket, Safety Latch Mounting
29	08704979	Latch, Safety
30	22001006	Plate, Hood Mounting
31	22100354	Bracket, Bug Screen - Lower
32	16403008	Harness, Right Head Lamp
33	64252037	Grille Screen Assembly
34	08706743	Cable, Hood Release
		The Following are a Welded Assembly
35	06600018	Heater Inset Pan
35A	06600014	Heater Inset Pan Left
35B	06600015	Heater Inset Pan Right



Hood, Firewall & Framework Assembly - '90

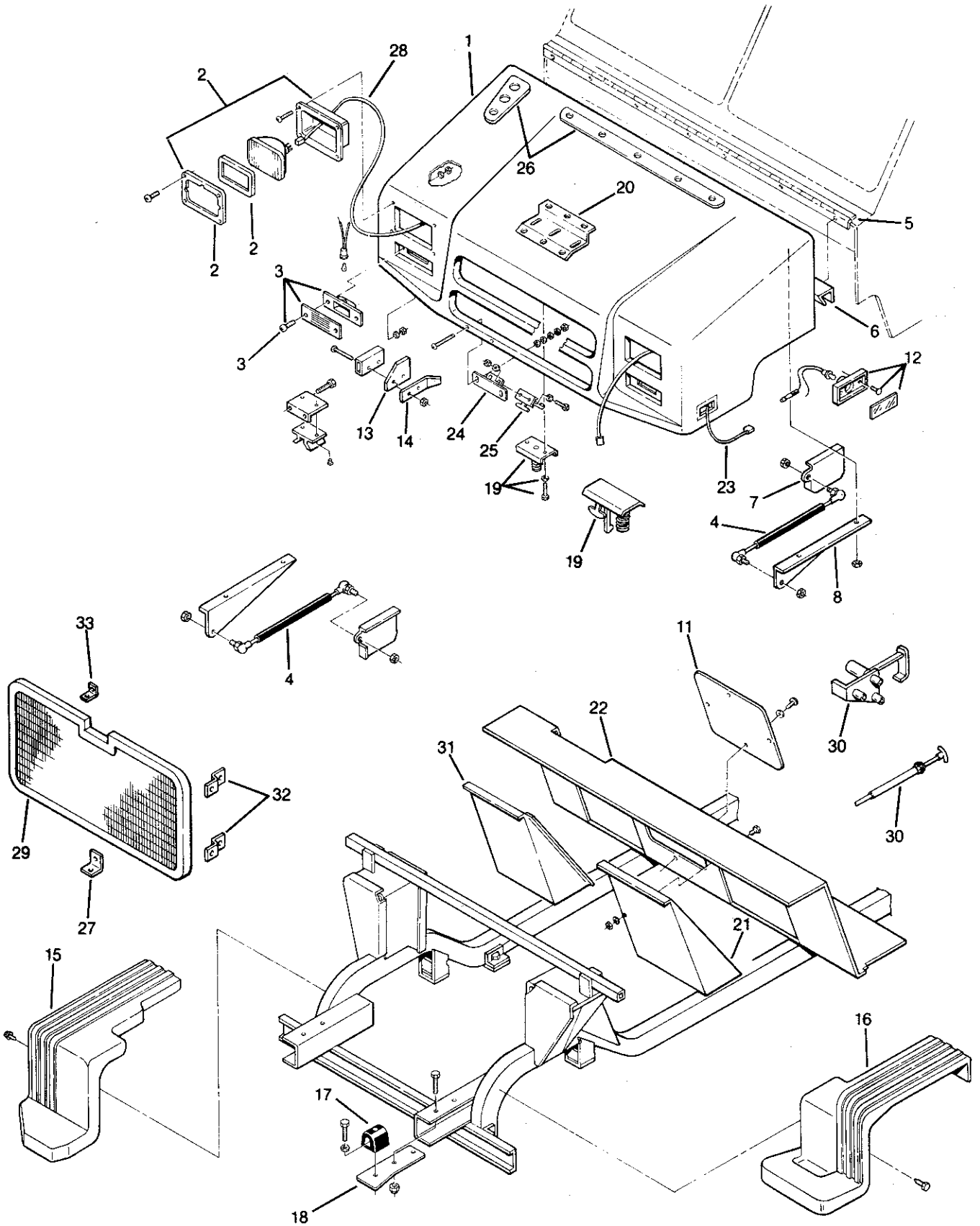
# Aeromate Walk-In Van

Utilimaster Motor Corporation

## Section 13.2

### Hood, Firewall & Framework - '90

Item	1990	Description
1	01900302	Front Hood Assembly
2	15206129	Headlight Assembly
2A	16407111	Retainer Ring
2B	16407110	Bezel, Chrome
3	15204445	Turn Light Assembly
3A	16407117	Lense, Turn Light
4	08700046	Gas Spring
5	08200025	Hinge, Hood
6	06022253	Channel, Hinge Mounting
7	22100092	Catch, Secondary Hood
8	06600020	Cover, Firewall Inspection
9	15200315	Cornering Light
10	22100017	Shim, Hood Alignment
11	22100016	Guide, Hood Alignment
12	01300545	Splashshield, Front Right Hand
13	01300544	Splashshield, Front Left Hand
14	01100442	Rubber, Bumper
15	08200014	Center Hood Latch Assembly OBS
16	22100084	Bracket, Hood Pin
17	22100353	Bracket, But Screen - Upper
18	99259118	Pan, Steering Wheel Inset Assembly
19	22100067	Prop, Hood
20	22100066	Bracket, Prop Mount
21	22100039	Bracket, Catch Mount
22	08705474	Catch, Prop
23	08707476	Clamp, Headlight Wire
24	08705473	Pivot, Prop
25	06627001	Firewall Metal, Sedan (From 9/27/90)
25	06630006	Firewall Metal, Slider
26	16403006	Harness, Left Head Lamp
27	22100089	Bracket, Safety Latch Mounting
28	08704979	Latch, Safety
29	22000277	Plate, Hood Mount Left Side
29	22000278	Plate, Hood Mount Right Side (Not Shown)
29	22000280	Hood Hinge Mount
30	22100354	Bracket, Bug Screen - Lower
31	16403008	Harness, Right Head Lamp
32	64252166	Frame and Screen, Bug Screen 14 1/2 X 37 1/2
33	08706743	Cable, Hood Release
		06604117, 06604118, 06600015 all in 06625891
34	06625891	Assy Welded, Steering & Heater Inset Left & Right
35	06604900	Bracket, Hood Mount Left Side
36	06604901	Bracket, Hood Mount Right Side



Hood, Firewall & Framework Assembly - 1991 - 1992

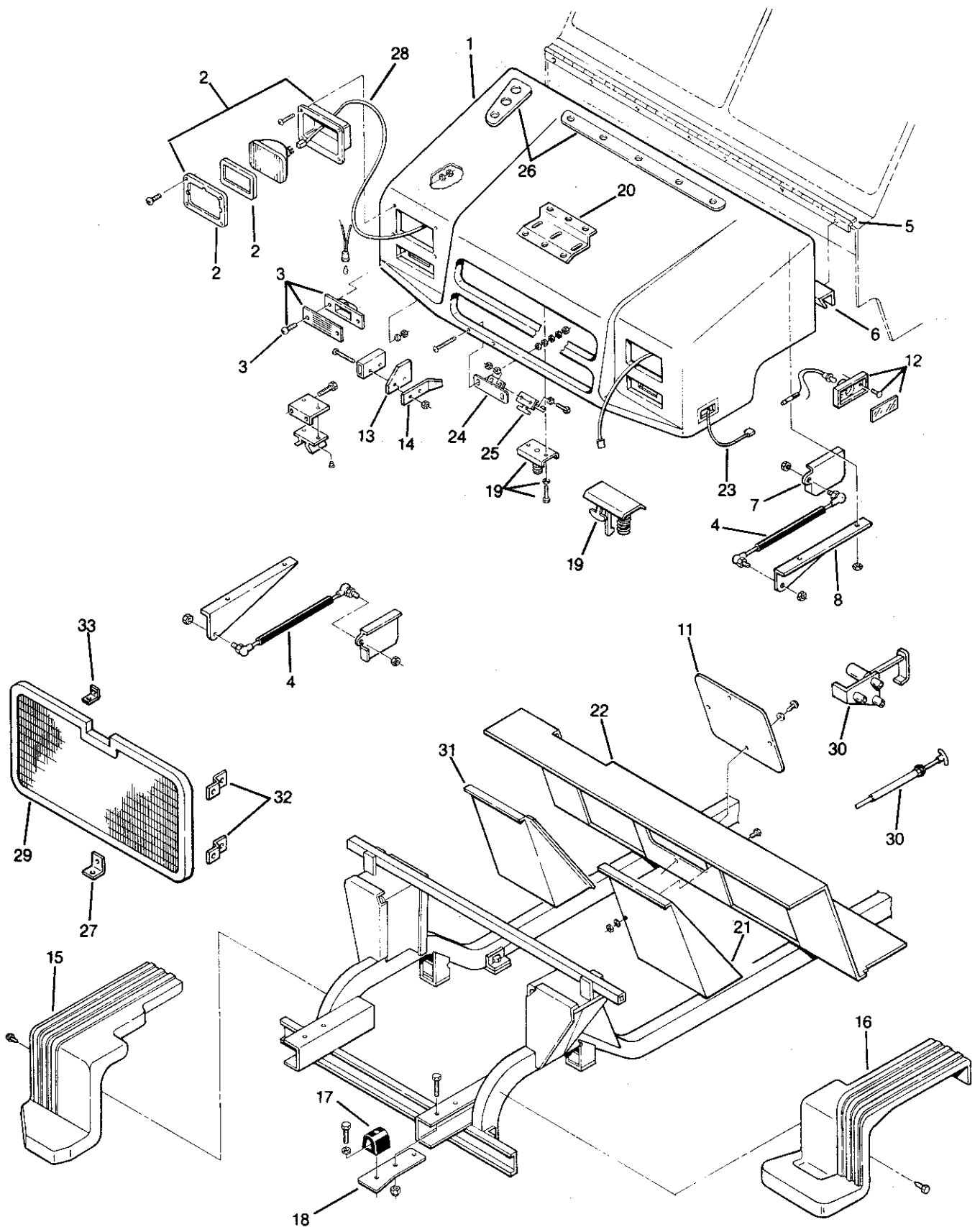
# Aeromate Walk-In Van

Utilimaster Motor Corporation

## Section 13.3

Long Hood, Firewall & Framework - 1991 - 1992

Item	1991-1920	Description
1	01900010	Front Hood Assembly - Long
2	15206129	Headlight Assembly
2A	16407111	Retainer, Headlight
2A	15200434	Retainer, Advanced (On Units after VIN# 2125)
2B	16407110	Bezel, Chrome
2B	15200433	Bezel, Advance (On Units after VIN# 2125)
3	15204445	Turn Light Assembly
3A	16407117	Lense, Turn Light
4	08700047	Gas Spring
5	08200025	Hinge, Hood
6	06022253	Channel Hinge Mounting
7	06604813	Mounting, Lower Gas Spring - Right
7	06604814	Mounting, Lower Gas Spring - Left
8	06604900	Bracket, Hood Mounting - Left
8	06604901	Bracket, Hood Mounting - Right
9	23000068	Latch, Secondary Hood
10	08705006	Catch, Lower Hood
11	06600020	Cover, Firewall Inspection (4/9/91 and up)
11	01801066	Cover, Firewall Inspection (1992)
12	15200315	Cornering Light
13	22100017	Shim, Hood Alignment
14	22100016	Guide, Hood Alignment
15	01300545	Splashshield, Front Right Hand ('90 Engine)
15	01305000	Splashshield, Front Right Hand ('91 Engine 4/9/91)
16	01300544	Splashshield, Front Left Hand ('90 Engine)
16	01305001	Splashshield, Front Left Hand ('91 Engine 4/9/91 and up)
17	01100442	Rubber, Hood Bumper
18	22000024	Hood Bumper Mount Bracket
19	08200014	Center Hood Latch Assembly
19	08705005	Center Hood Latch Assembly (4/9/91 and up)
20	22100681	Bracket, Hood Pin
20	22100957	Bracket, Hood Pin (4/9/92 and up)
21	99250124	Pan, Steering Wheel Inset Assy.
21	99250190	Pan, Steering Wheel Inset Assy. (4/9/91 and up)
22	06630006	Firewall Metal Slider
22	06627001	Firewall Metal Sedan
23	16403006	Harness, Left Head Lamp
23	16400664	Harness, Left Head Lamp (2/15/91 and up)
24	22100683	Bracket, Safety Latch Mounting (NA 4/9/91 and up)
25	08704979	Latch, Safety (NA 4/9/91 and up)
26	22000277	Plate, Hood Mounting
26	22000278	Plate, Hood Mounting
26	22000280	Plate, Hood Mounting
27	22100682	Bracket, Bug Screen - Lower
27	22101197	Bracket, Bug Screen - Lower (4/9/91 and up)
28	16403008	Harness, Right Head Lamp
28	16400664	Harness, Right Head Lamp (2/15/91 and up)
29	64252166	Bug Screen and Frome Assy Side 14.75
29	64252211	Bug Screen and Frame Assy Side 14.75 (4/9/91 and up)



Hood, Firewall & Framework Assembly - 1991 - 1992



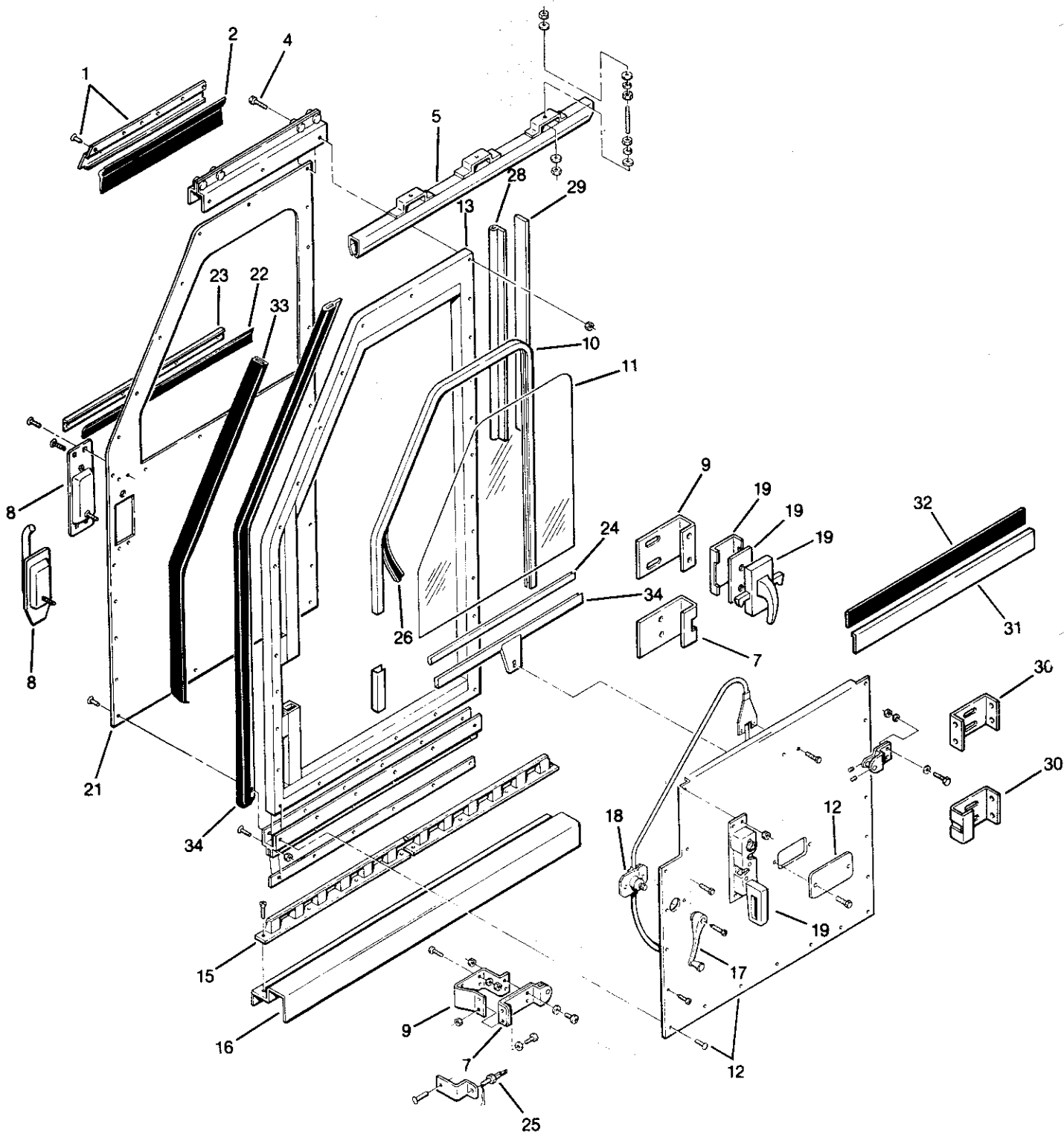
# Aeromate Walk-In Van

Utilimaster Motor Corporation

## Section 13.3

Long Hood, Firewall & Framework - 1991 - 1992

Item	1991-1992	Description
30	08700051	Cable, Hood Release
30	08706765	Cable, Hood Release (4/9/91 and up)
31	06625891	Heater Inset Pan Assy
32	22100689	Bracket, Grille Screen Left
33	22100688	Bracket, Grille Screen Top



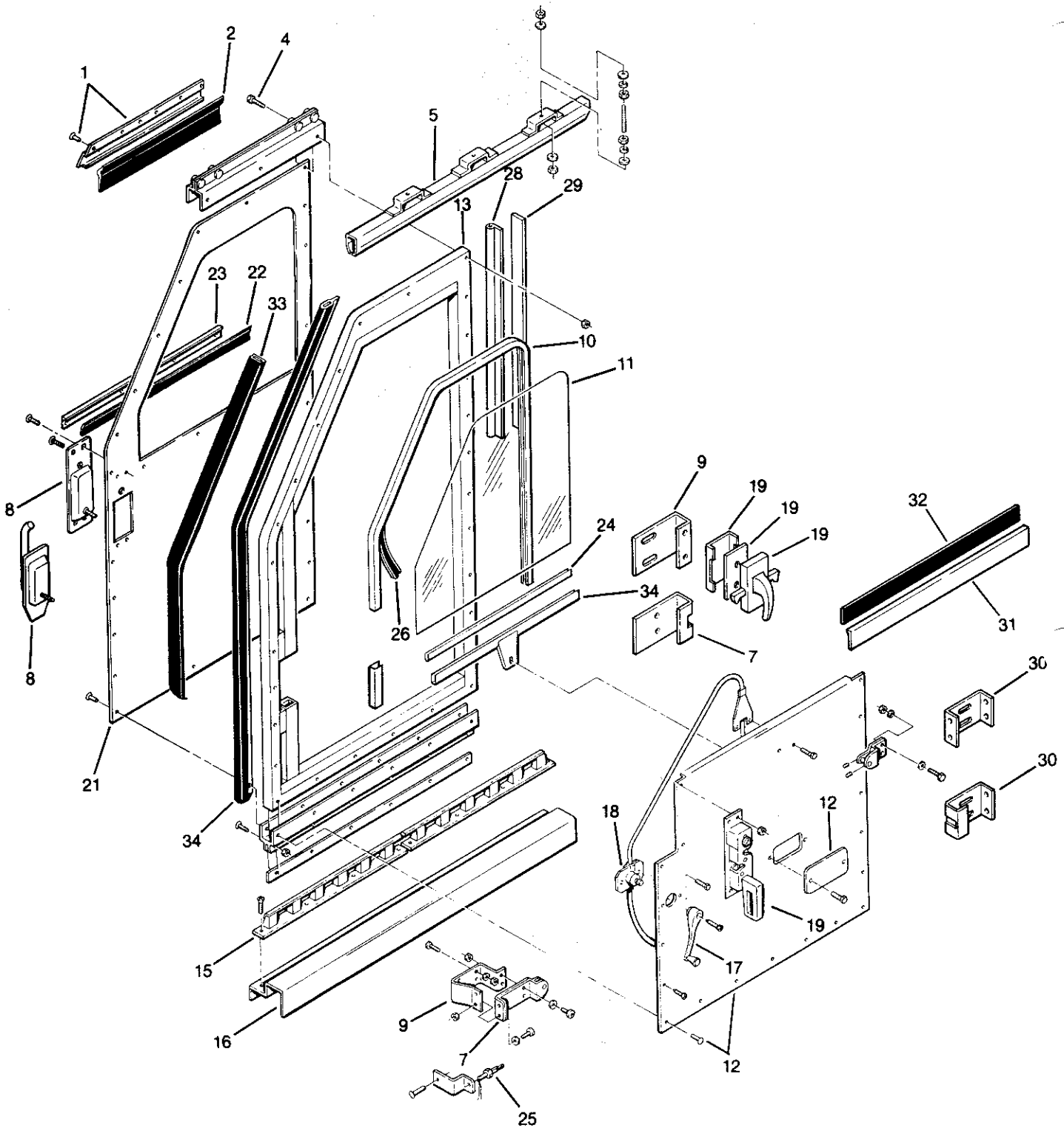
Sliding Door Assembly  
14-1

# Aeromate Walk-In Van

## Utilimaster Motor Corporation

Section 14.1  
Door, Sliding

Item	1989-1990	1991-1992	Description
1	06022105	06022105	Retainer, Upper Door Seal - Right Side
1A	06022106	06022106	Retainer, Upper Door Seal - Left Side
2	01520204	01520204	Seal, Rubber (3.5 ft)
3	08220207	08220207	Guide, Door
4	08220343	08220343	Roller Assembly
5	08220017	08220017	Track, Sliding Door
6	06604076	06604076	Bracket, Door Switch
7	22100875	08200012	Striker, Post
7A		22100796	Striker, Post (12/13/90 thru 6/1/91)
7B		08780115-6	Striker, Post (after 6/1/91)
8	08200013	08200013	Handle, Exterior
8A		08704375	Kason Handles, Chrome (9/26/91 on)
8B		08700260	Kason Handles, Black (9/26/91 on)
9	22100041	22100041	Mount, Front Latch, Hansen
9A	22100877-8		Mount, Front Latch, Kason
9B	22100797		Mount, Front Latch, Kason (12/13/90 thru 6/1/91)
9C		22101510	Mount, Front Latch, Kason, Left (after 6/1/91)
9D		22103019	Mount, Front Latch, Kason, Right (after 6/1/91)
10	06020959	06020959	Track, Crank-Up Window
10A		06020960	Track, Crank-Up Window
11	09080473	09080473	Glass, Crank-Up
12	06510271	06500017	Plate, Window Regulator - Right Side
12	06510270	06500018	Plate, Window Regulator - Left Side
12A		06500823	Plate, Access
13	57252006	57252006	Frame, Sliding Door - Right Side
13A	57252001	57252001	Frame, Sliding Door - Left Side
14	06510277	06510277	Filler, Front Door (Not Shown)
15	06800035	06800035	Casting, Lower Track
15A	06029653	06029653	Guard, Casting
16		06850148-07425	Threshold, Door
17	09300104	09300104	Crank, Window
18	09301001	09300101	Regulator Assembly, Left Side
18A	09301002	09300102	Regulator Assembly, Right Side
18B	06500823	06500823	Regulator Assembly, Access Plate
19	08200008	08200009	Handle, Door Latch Interior Left Hand
19A	08200009	08200008	Handle, Door Latch Interior Right Hand
19B	08704960	08704960	Handle, Door Latch Interior Kason Left Hand & Right Hand
19C	08701056	08701056	Door Latch Spacer, Kason
19D	08701057	08701057	Door Latch Spacer, Kason Left Hand
19E	08701055	08701055	Door Latch Spacer, Kason Right Hand
20	08200011	08200011	Catch, Door, Hansen
21	06510267	06500019	Metal Exterior, Standard Left
21A	06510267	06500020	Metal Exterior, Standard Right
21B	06500021	06500021	Metal Exterior, Kason Lock Left
21C		06501958	Metal Exterior, Kason Lock Left (From 6/1/91 on)
21D	06500022	06500022	Metal Exterior, Kason Lock Right
21E		06501959	Metal Exterior, Kason Lock Right (From 6/1/91)



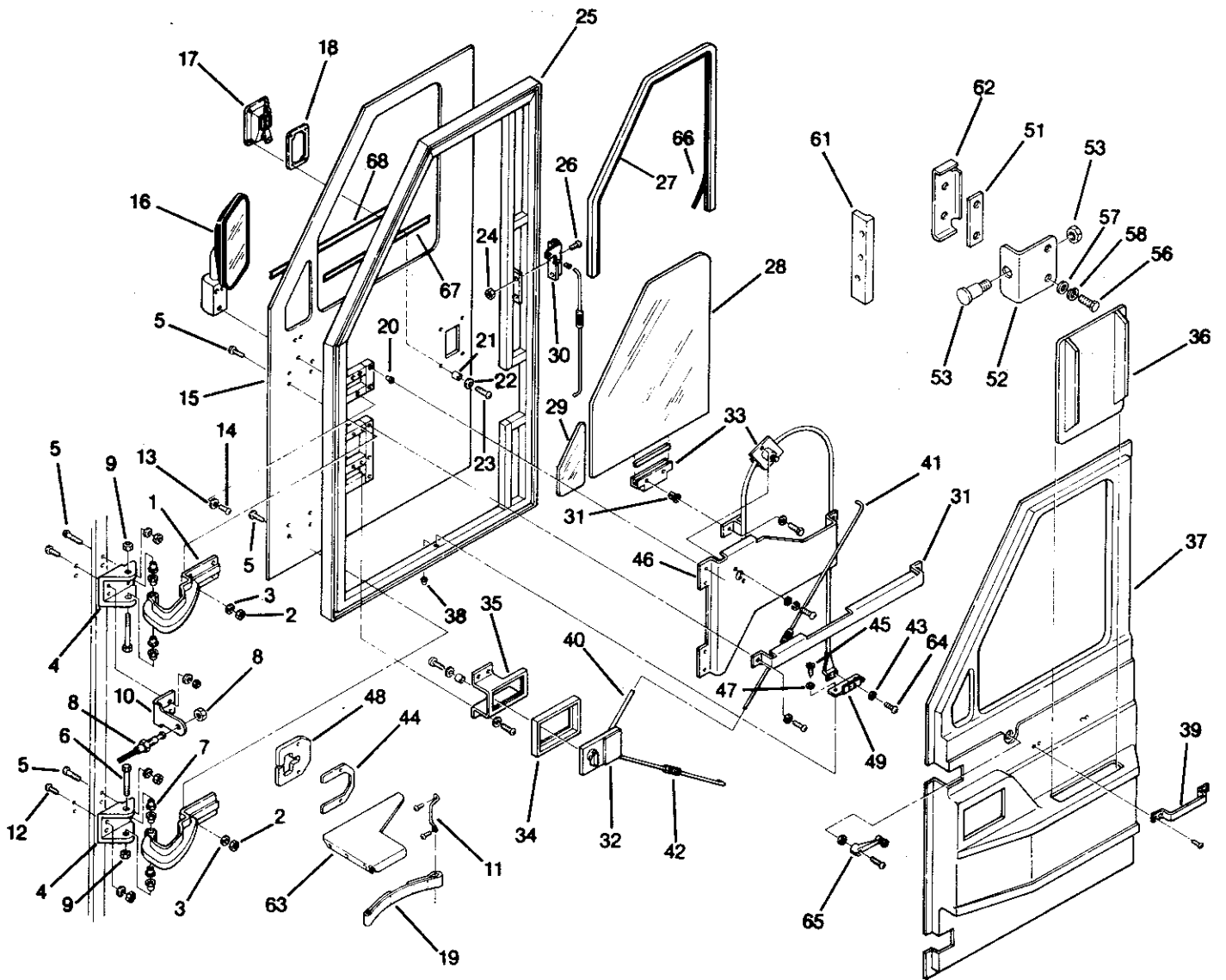
Sliding Door Assembly

# Aeromate Walk-In Van

## Utilimaster Motor Corporation

Section 14.1  
Door, Sliding

Item	1989-1990	1991-1992	Description
22	01520204	01520204	Seal, Window (2.5 ft)
23	06013008-02800		Trim, Seal 28 1/4
24	12300690	12300703*	Rubber (*Double Sided Tape (2.5 ft Rubber and 4" Tape)
25	16000003	16000003	Switch, Dome Light
26	12300622	12300622	Channel, Window , 8 ft
27	08200010	08200010	Tumbler, Keyed
28	05402080	05402080	Seal, Rear 5.25 ft
29	06510278	06510278	Retainer, Seal
30	22100692	22100692	Stiffener, Rear Catch
30A	22101509	22101509	Stiffener, Right Rear Catch, Kason
30A		22100243	Stiffener, Right Rear Catch, Kason (Early '91 Fed-X)
31	06013008-02900		Trim Angle
32	01520203	01520203	Rubber, Flat 2.5 ft 1/16 X 2"
33	05402094	05402094	Seal, Front Door Channel 6 ft
34		05402092	Seal, Front Door
35	08713019		Mirror (Not Shown)
35		08713053	Split Mirror Assembly - Left (Black) (Not Shown)
35		08713052	Split Mirror Assembly - Right (Black) (Not Shown)
35		08700140	Flat Mirror - Replacement (Black) (Not Shown)
35		08700141	Convex Mirror - Replacement (Black) (Not Shown)



Sedan Door Assembly  
14-4

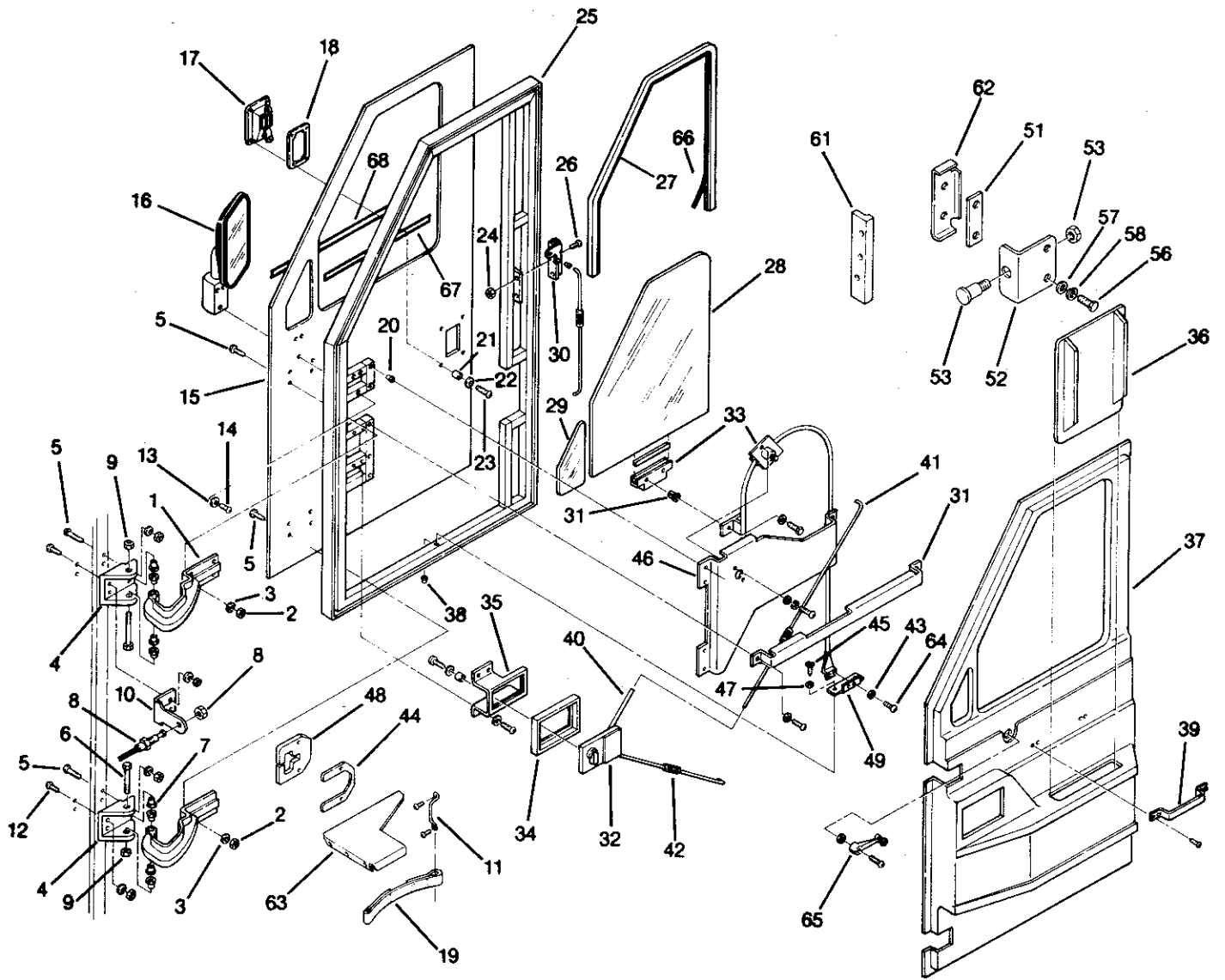
# Aeromate Walk-In Van

Utilimaster Motor Corporation

## Section 14.2

Door, Sedan

Item	1989-1990	2/7/90-1991	Description
1		10010020	Side Sedan Door Assembly - Right
1		10010021	Side Sedan Door Assembly - Left
1	08700612		Hinge, Door
2	11006954		Nut, 5/16-18 Nylock
3	11008148		Washer, 5/16
4	08700611		Bracket, Door Hinge
5	11004424		Bolt, 5/16-18 x 1 1/4 Gr 5 Carriage
6	11005934		Bolt, 1/2-13 x 4 1/2 Gr 5 HHMB
7	16500077		Bearing Assembly, Nylon
7A	16500078		Bearing, Nylon
8	16000003		Door Light Switch
9	11002901		Nut, 1/2-13 Nylock
10	06604583		Bracket, Door Light Switch
11	08705820		Eyelet
12	11004426		Bolt, 5/16-18 X 1 Gr 5 Carriage
13	11002800		Washer, 1/4 Lock
14	11305092		1/4-20 x 3/4 PPHMS
15	06510850		Metal, Exterior Door - Left
15	06510998		Metal, Exterior Door - Right
16	08713018		Mirror, w/Base and Mount
16	08713033		Mirror, w/Base and Mount (For VIN# 1920 on)
17	08220370	08700531	Handle, Exterior Door - Right
17	08220370	08700529	Handle, Exterior Door - Left
18	12030001		Gasket, Door Handle
19	08210028		Strap, Door Stop
20			Thread Insert, 10-24
21			Collar, 1/2 OD x 5/16
22	11008919		Washer, 3/16
23	11303638		Screw, 10-24 x 1/2 PPHMS
24	11006954		Nut, 5/16-18 Nylock
25	57252010		Frame, Door Left Hand
25	57252009		Frame, Door Right Hand
26	06012004		Bolt, 5/16-18 x 1 3/4 Gr 5 HHCS
27	06020958		Frame, Window Track
28	09080470		Glass, Door
28		09080489	Glass, Door - Right
28		09080488	Glass, Door - Left
28		09502203	Glass, Door Rear
29	09080471		Glass, Quarter Window
29		09502202	Glass, Front Door
30	08700608		Latch, Door Rotary - Right
30	08700607		Latch, Door Rotary - Left
31	01702198		Bracket, Grab Handle Right
31	22100023		Bracket, Grab Handle Left
32	08220368		Handle, Int Paddle - Right
32	08220369		Handle, Int Paddle - Left
33	09034210		Regulator, Window - Right Hand
33	09034211		Regulator, Window -Left Hand
34	10100003		Cover, Door Paddle - ABS
35	22100022		Bracket, Door Paddle
36	10100022		Back Plate, Map Pocket
37	10100023		Door Panel, RH Plastic



Sedan Door Assembly



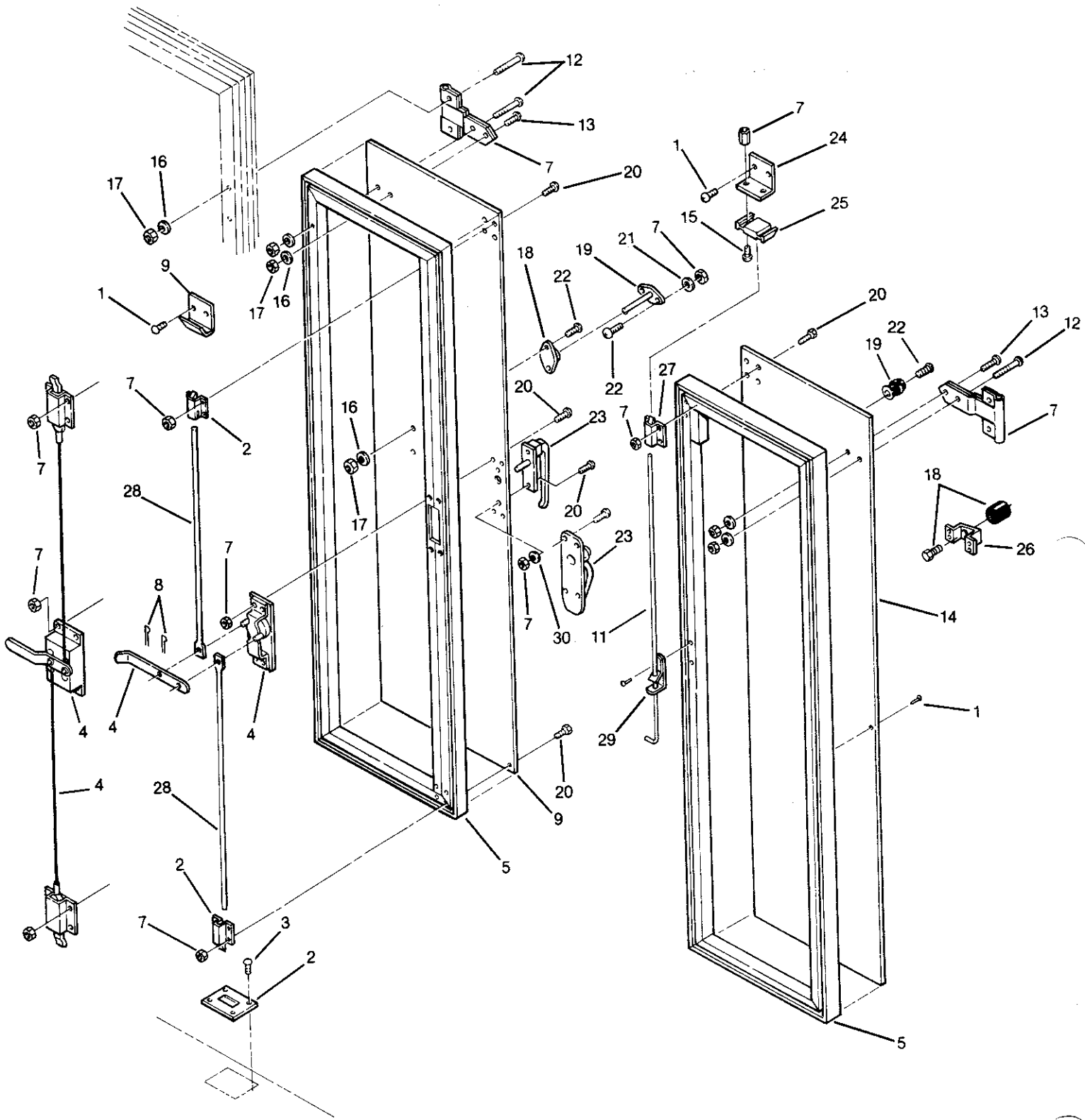
# Aeromate Walk-In Van

Utilimaster Motor Corporation

## Section 14.2

### Door, Sedan

Item	1989-1990	2/7/90-1991	Description
37	10100000		Door Panel, LH Plastic
38	11009145		Nut Insert #10-32
39	08040001		Handle, Door (Interior)
40	22200004		Rod, Latch Connector - RH 27.6
40	22200005		Rod, Latch Connector - LH 27.6
41	22200008		Rod, Latch Connector - RH 29.0
41	22200009		Rod, Latch Connector - LH 29.0
42	22200006		Rod, Latch Connector - RH 12.4
42	22200007		Rod, Latch Connector - LH 12.4
43	11008114		Washer, Flat
44	22001005		Retainer, Door Hinge Seal
45	11303672		Screw, Pan Head Phillips #10-32 X 3/4
46	22100020		Bracket, Window Crank - Right Side
46	22100021		Bracket, Window Crank - Left Side
47	11008115		Washer, Lock - 1/4 Zinc
48	05402097		Seal, Door Hinge
49	22100024		Bracket, Lower Window Crank
50	05402098		Weather Stripping (Not Shown)
51	22001007		Striker, Pin Plate Bracket
52	22001008		Striker, Pin Mounting Plate
53	08700604		Pin, Striker
54	11004426		Bolt, Carriage 5/16-18 UNC X 1
55	11006954		Nut, Locking 5/16-18 UNC
56	11004510		Bolt 3/16-18 Gr 5 X 1 HHCS
57	11008099		Washer, Flat 3/8
58	11000600		Washer, Lock 3/8
59	11007111		Nut, Lock 7/16-14 UNC
60	11404002		Fastener, Huck 3/4 with Collar
61	06026002		Catch, Mounting Plate
62	06510253		Retainer, Striker Nut Plate
63	08200110		Bracket, Door Stop Support - Left Side
63	08200111		Bracket, Door Stop Support - Right Side (Through 2/6/90)
63	08200114		Bracket, Door Stop Support - Right Side (From 2/7/90 on)
64	11305085		Screw, Phillips 1/4-20 X 5/8
65	08700193		Crank, Handle
66	12300622		Channel, Window
67	01520204		Seal, Window
68	06013008-02800		Trim, Seal 21



Rear Swing Door Assembly  
14-7

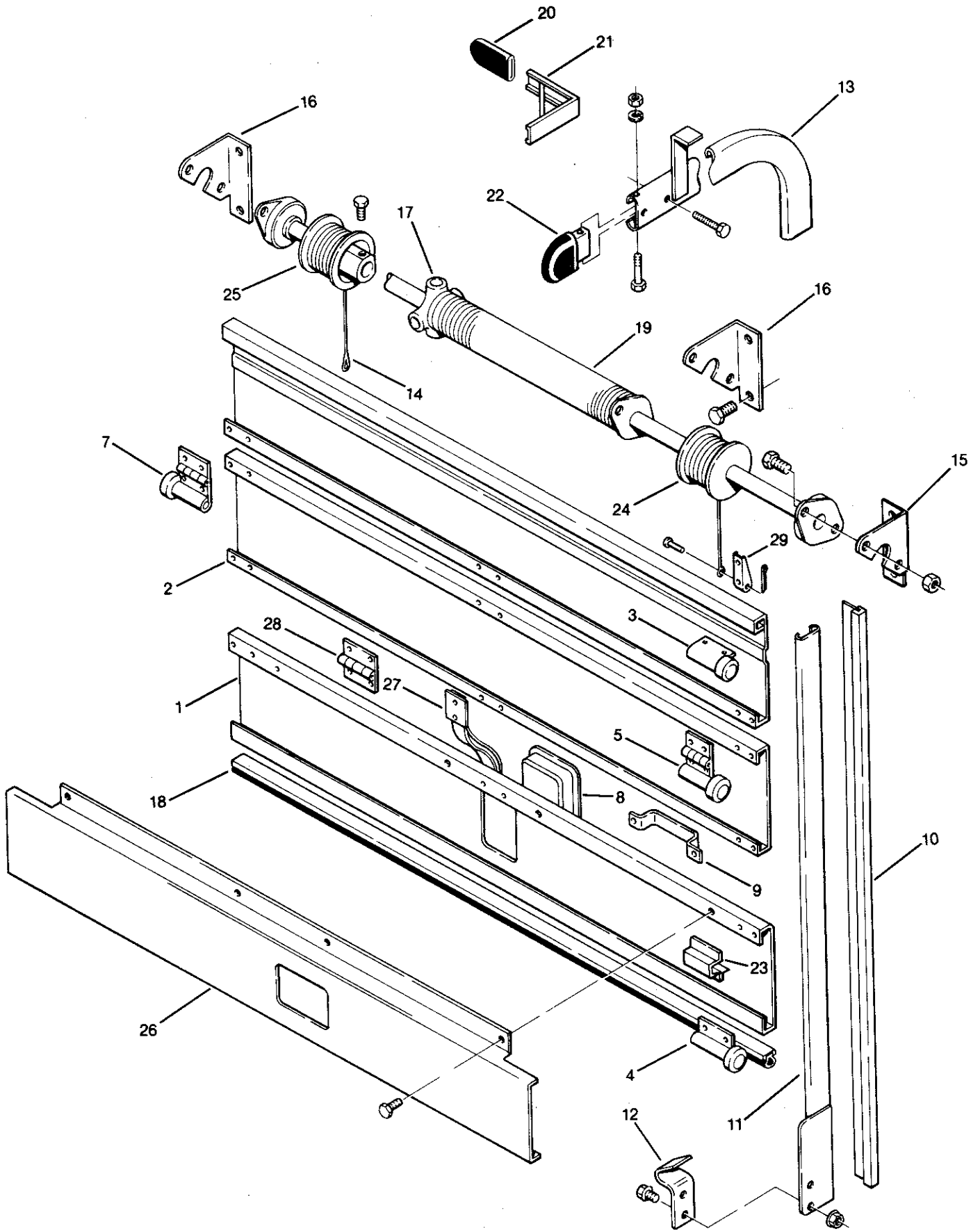
# Aeromate Walk-In Van

Utilimaster Motor Corporation

## Section 14.4

### Door, Rear Swing

Item	1988-1990	1991-1992	Description
1	11400000		Rivet
2	01700563	22101157	Catch, Slamlock , Lower Plate
3	11400000		Monobolt - 1/4"
4		08700523	Latch Kit, Interior
4A	08700523		Handle, Interior
4B	08706094		Control, Center Lock
5	57252005	57252005	Frame, 23" Rear Swing Door - Welded Set
6	57252050	57252050	Frame, 23" Rear Swing Door Welded Set
7	11000903		Nut, 1/4-20 Nylock
8			Pin, Cotter (Not Serviceable)
9	22100026	22101158	Plate, Upper Catch Slamlock
10	08705053	08705053	Hinge, Door
11	08706091	08730005	Rod, Control with Pull
12	11004423	11004423	Bolt, 5/16-18 X 2 Rib Neck Carriage
13	11004426	11004426	Bolt, 5/16-18 X1 Rib Neck Carriage
14	06504561	06510817	Metal, Rear Door 23 Left Side
14	06504562	06510818	Metal, Rear Door 23 Right Side
15	11305092	11305092	Screw, 1/4-20 x 3/4" SS
16	11008417	11008153	Washer, 5/16 Flat
17	11006954	11006954	Nut, 5/16-18 Nylock
18	08210004	08210026	Stop, Door Socket
19	08210003		Stop, Door Plunger (* Included with item 18)
20	11305144	11305103	Screw, 1/4-20 X 1 SS
21	11008114		Washer, 1/4 Flat
22	11305103		Screw, 1/4-20 X 3/4 PHPMS
23	08704965	08700076	Handle, Exterior Locking - Chrome
23		08700261	Handle, Exterior Locking - Black
24	22100025	22100025	Plate, Slam Lock Upper Strike
25	08401213	08401213	Catch, Slam Lock
26		06040952	Bracket, Rear Door Stop
27		08700596	Slam Lock
28	08706090		Rod, Control
29	08706093		Guide, Rod
30	11008411		Washer, Flat #10



Door, Rear Roll-up Assembly  
14-9

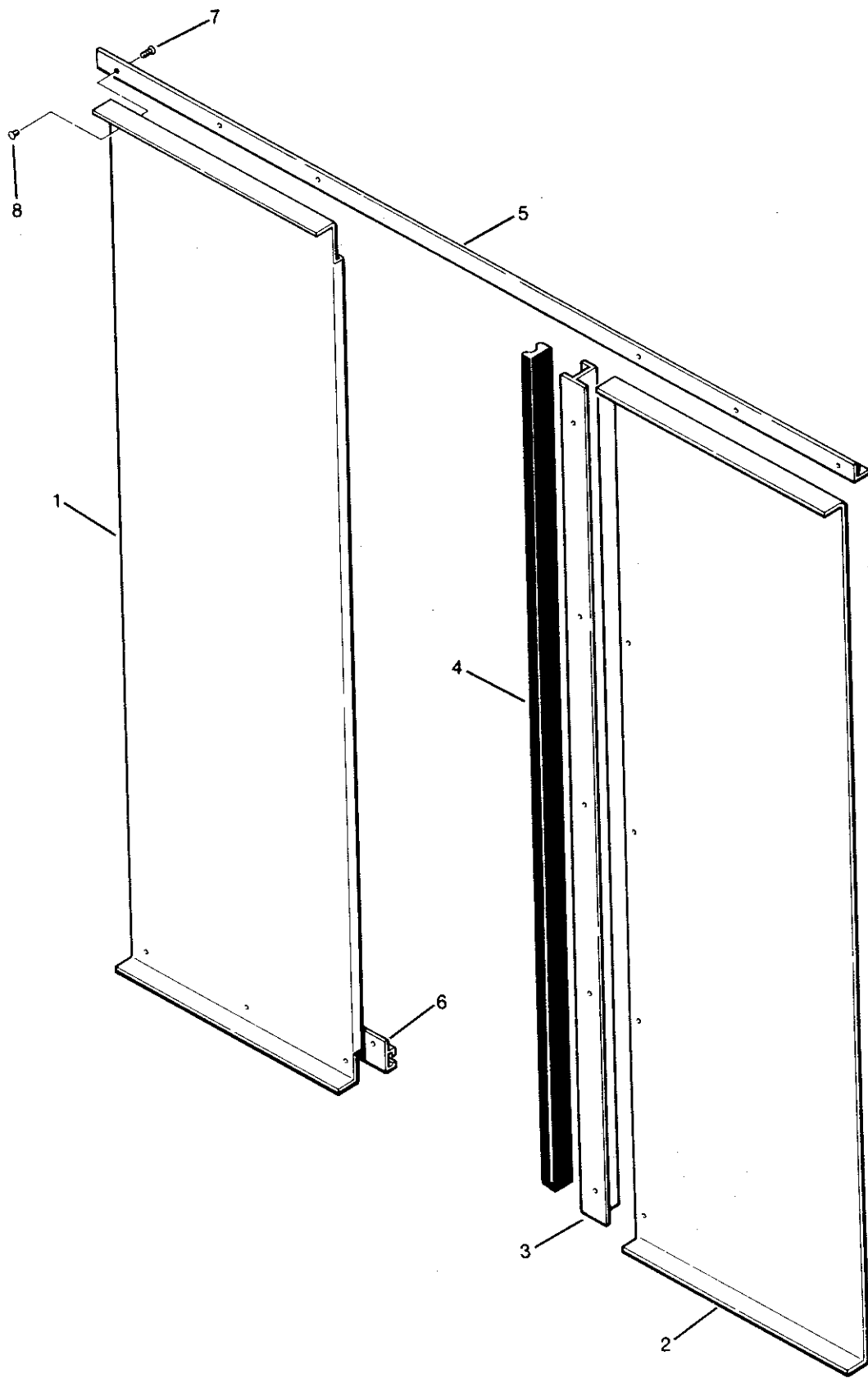
# Aeromate Walk-In Van

## Utilimaster Motor Corporation

### Section 14.5

### Door, Rear Roll-up Assembly

Item	1989-1990	1991-1992	Description
1	10999753	10999753	Panel, Bottom
2	10999754	10999754	Panel, Intermediate
3	10999755	10999755	Guide, Roller-Top
4	10999756	10999756	Guide, Roller-Bottom
5	10999757	10999757	Hinge, End with Nylon Sleeve-Left Hand
6	10999758	10999758	Hinge, End with Nylon Sleeve-Right Hand
7	10999759	10999759	Roller
8	10999760	10999760	Latch, Paddle
9	10999761	10999761	Handle
10	10999762	10999762	Seal, Side and Top
11	10999763	10999763	Track, Vertical - Left Hand
11	10999764	10999764	Track, Vertical - Right Hand
12	10999765	10999765	Striker
13	10999766	10999766	Track, Horizontal - Left Hand
13	10999767	10999767	Track, Horizontal - Right Hand
14	10999768	10999768	Cable - 110
15	10999769	10999769	Bracket, Counterbalance - Left Hand
16	10999770	10999770	Bracket, Counterbalance - Right Hand
17	10999771	10999771	Cylinder, ChiLock w/xM3352 Can
18	10999772	10999772	Seal, Bottom
19	10999773	10999773	Spring - #8 21 X 1-3/4 I.D.
20	10999774	10999774	Bumper, Rubber
21	10999776	10999776	Bracket, Rubber Bumper Support
22	10999775	10999775	Bumper, Rubber End
23	10999777	10999777	Latch, Dead Bolt
24	10999703	10999703	Drum, Cable - Left Hand
25	10999704	10999704	Drum, Cable - Right Hand
26	10999778	10999778	Cover, Plastic Lock Mechanism
26	08700863	08700863	Cover, Aluminum Lock Mechanism
27	10999964	10999964	Strap, Inside Pull
28	10999807	10999807	Hinge, Center
29	10999971	10999971	Bracket, Cable Anchor



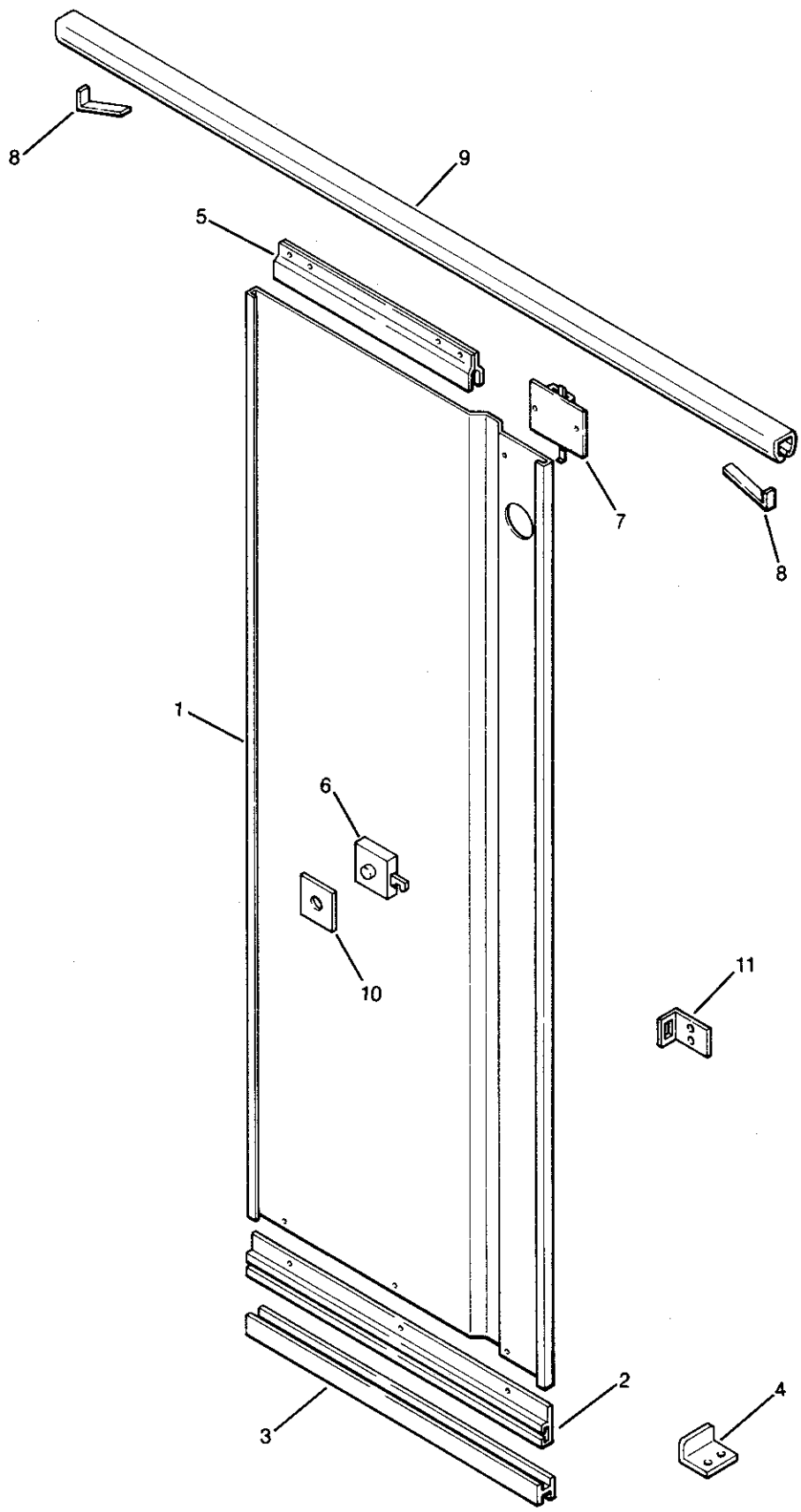
Bulkhead Wall Assembly  
14-11

# Aeromate Walk-In Van

## Utilimaster Motor Corporation

Section 14.6  
Door, Bulkhead

Item	1989-1990	1991-1992	Description
			<i>Bulkhead Wall with Sedan Doors</i>
1	54252017	06600356	Panel, 7/16 X 27.38 X 71.94 - Left
2	54252018	06600355	Panel, 7/16 X 18.75 X 71.94 - Right
2		06600357	Panel, 7/16 X 18.75 X 71.94 - Right w/Jump Seat
3	06025028	06029602	Channel, Door Stop - 3/4 X 2 1/4 X 70.44
4	05402091	05400214	Seal, 3/8 X 1/2 X 70.44
5	06002050	06041302	Angle, 1 1/2 X 1 1/2
6		06013189-02300	Channel, Bottom
7	11305092	11305092	Screw, 1/4-20 x 3/4" SSPH
8	11003101	11003101	T-Nut, 1/4-20
			 <i>Bulkhead With Side Sliding Doors</i>
1	54252029	06600351	Panel, 7/16 X 26.16 X 71.94 - Left
2	54252030	06600352	Panel, 7/16 X 16.25 X 71.94 - Right
2		06600310	Panel, 7/16 X 16.25 X 71.94 - Right w/Jump Seat
3	06025028	06029602	Channel, Door Stop - 3/4 X 2 1/4 X 70.44
4	05402091	05400214	Seal, 3/8 X 1/2 X 70.44
5	06002050	06041302	Angle, 1 1/2 X 1 1/2
6		06013189-02300	Channel, Bottom
7	11305092	11305092	Screw, 1/4-20 x 3/4" SSPH
8	11003101	11003101	T-Nut, 1/4-20



Bulkhead Door Assembly  
14-13



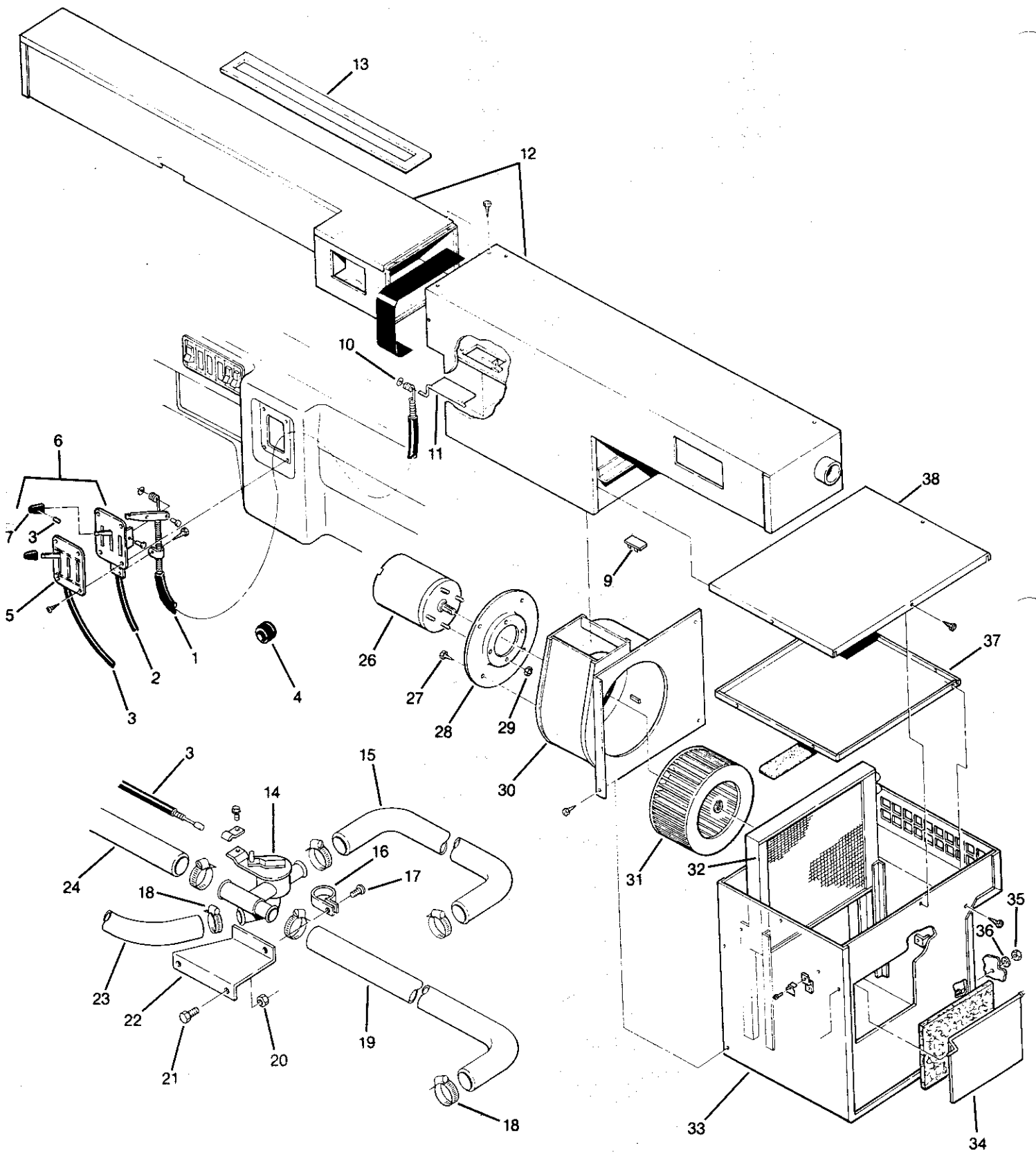
# Aeromate Walk-In Van

Utilimaster Motor Corporation

Section 14.7

Bulkhead Door Assembly

Item	1898-1990	1991-1992	Description
			<i>Bulkhead Door with Sedan Doors</i>
1	54252023		Door With Side Swing Doors
2	06013189		Blandex Panel - 7/16 X 27.88 X 67.13
3	08220206		Channel, Bottom 5/8 X 2 1/2 X 23.88
4	08700016		Guide, Door - Polyethylene Stop, Door
			<i>Bulkhead Door with Side Sliding Door</i>
1	54252035	06600350	Panel, 7/16 X 26.91 X 67.13
2	06013189	06013189	Channel, Bottom - 5/8 X 2 1/2
2	06013189-02000	06013189-02000	Channel, Bottom - 5/8 X 2 1/2 x 20"
3	08220206	08220206	Guide, Door - Polyethylene
4	08700016		Stop, Door
5	08201102	08201102	Support, Roller
6		08200017	Latch, Door with Best Lock
7	08700599	08700599	Latch, Door (Standard)
8	10712102	10712102	Stop, Door Latch
9	082220098	08220098	Track, Door
10		06511269	Spacer, Best Lock
11		08401218	Catch, Best Lock



Heater Assembly Assembly - 1989-1990  
15-1

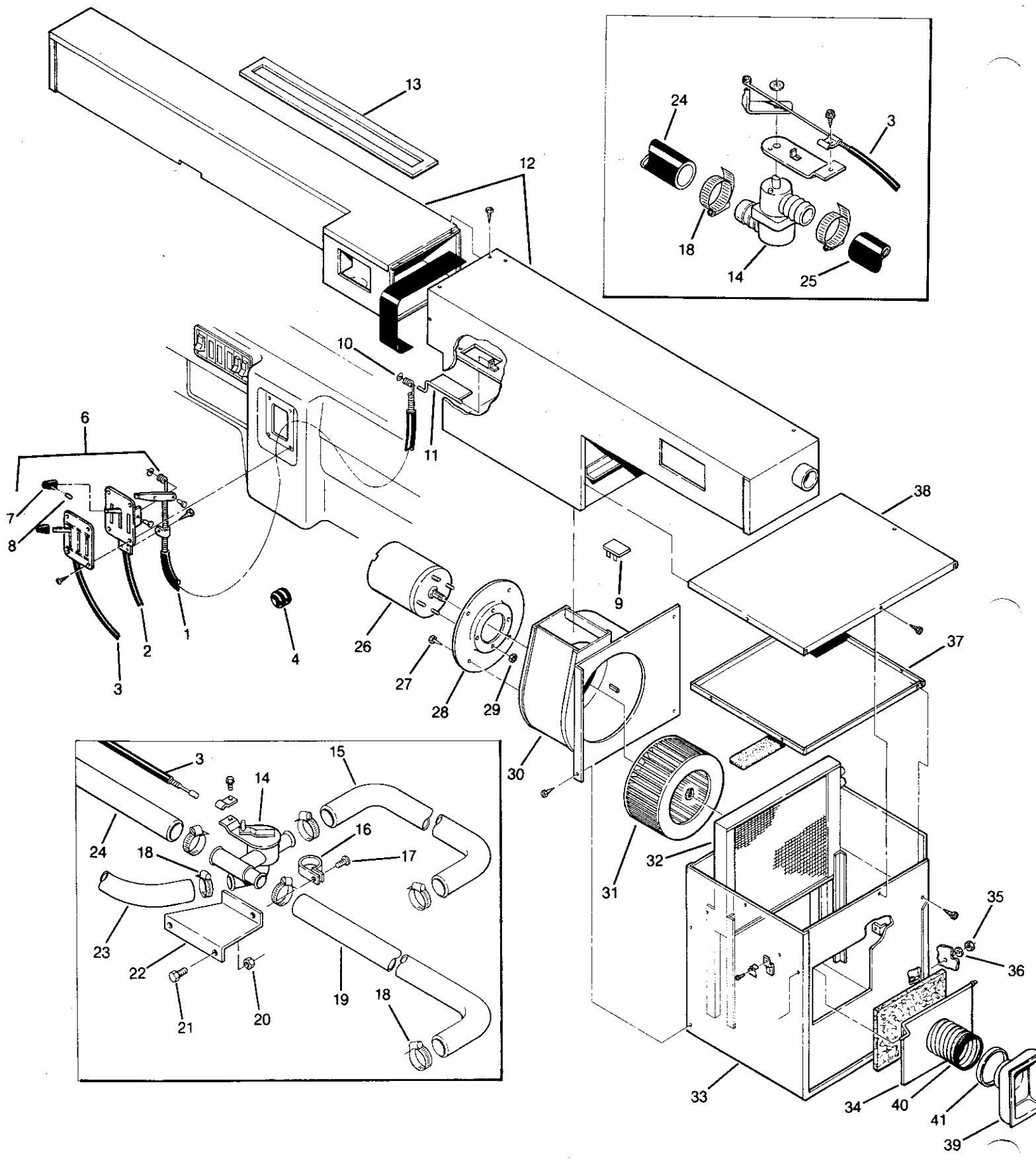
# Aeromate Walk-In Van

Utilimaster Motor Corporation

## Section 15.1

### Heater Assembly - 1989-1990 - 4 Cylinder Only

Item	4 Cylinder	Description
1	17999953	Cable, Defrost 17 3/4
2	17999954	Cable, Fan 27
3	17999955	Cable, Heat 30 1/2
4	16501201	Grommet, Heater Cable
5	17999959	Heater, Face Plate
6	17999952	Control Assembly, Heater without A/C
6	17301223	Control Assembly, Heater & A/C
7	17999972	Knob (380053)
8	17999600	Screw (200101)
9	17900006	Resistor, Blower Motor
10		Clip
11		Butterfly Vent
12	17900015	Heater, Plenum
13	12300806	Tape, Open Cell - 12 ft
14	17999996	Valve, By Pass
15	17307012	Hose, Heater 5/8
16	08707476	Clamp
17	11305090	Screw, 1/4-20 X 3/4 Phillips
18	08707409	Clamp, Hose - Screw
19	17307013	Hose, Heater 5/8
20	11000903	Nut, Lock 1/4-20
21	11005597	Bolt, 1/4-20 X 3/4 HHC5
22	06604581	Bracket, Valve By-Pass
23	17307015	Hose, Heater 3/4 X 22
24	17307014	Hose, Heater 3/4 X 60
25	17999879	Heater Kombo with A/C (includes parts 26-39)
25	17999873	Heater Kombo without A/C (includes parts 26-38)
		The Following are included in 25
26	01100569	Motor
27		Screw,
28		Collar, Motor
29		Nut,
30		Cover, Blower Motor
31		Wheel, Blower
32	17201228	Core, Heater
33		Heater, Box
34		Butterfly Vent
35		Nut,
36		Washer,
37		Inner Lid,
38		Top, Heater Box
39	17000772	Coil, A/C Evaporator (Not Shown)



Heater Assembly - 1990 - 1992  
15-3

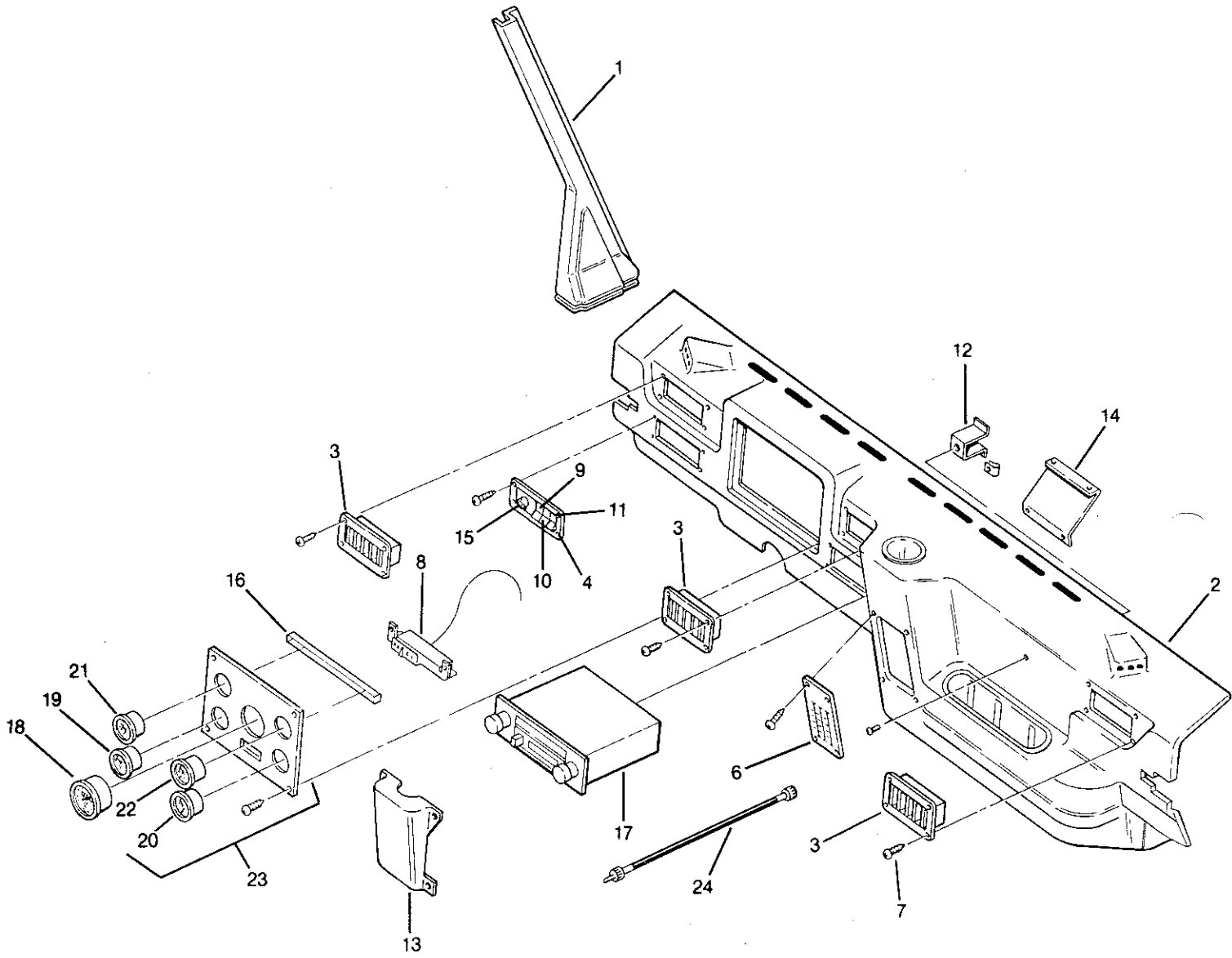
# Aeromate Walk-In Van

## Utilimaster Motor Corporation

### Section 15.2

Heater Assembly - 1990 - 1992 with Louvered Side Air Intake and 6 Cylinder Engine

Item	1990	1991-1992	Description
1	17999953	17999953	Cable, Defrost 17 3/4
2	17999954	17999954	Cable, Fan 27
3	17999955	17999955	Cable, Heat 30 1/2
4	16501201	16501201	Grommet, Heater Cable
5	17999959	17999959	Heater, Face Plate
6	17999952	17301221	Control Assembly, Heater without A/C
6	17301223	17301223	Control Assembly, Heater & A/C
7			Knob (380053)
8			Screw (200101)
9	17407104	17407104	Coil, A/C Evaporator (Not Shown)
10			Clip
11			Butterfly Vent
12	17900015	17900015	Heater, Plenum
13	12300806	12300806	Tape, Open Cell - 12 ft
14	17999996	17999897	Valve, By Pass
15	17307012	17307012	Hose, Heater 5/8
16	08707476	08707476	Clamp
17	11305090	11305092	Screw 1/4-20 X 3/4 Phillips
18	08707409	08707416	Clamp, Hose - Screw
19	17307013	17307013	Hose, Heater 5/8
20	11000903	11000903	Nut, Lock 1/4-20
21	11005597	11005597	Bolt, 1/4-20 X 3/4 HHC5
22	06604581	06604581	Bracket, Valve By-Pass
23	17307015	17307015	Hose, Heater 3/4 X 22
24	17307014	17307014	Hose Heater 3/4 X 60
25	17005719	17005721	Heater Kombo with A/C (Includes Parts 26 thru 38)
25	17005718	17005718	Heater Kombo without A/C (Includes Parts 26 thru 38)
26	01100569	01100569	Motor
27			Screw,
28			Collar, Motor
29			Nut,
30			Cover, Blower Motor
31			Wheel, Blower
32	17201228	17201228	Core, Heater
33			Heater, Box
34			Butterfly Vent
35			Nut
36			Washer,
37			Inner Lid,
38			Top, Heater Box
39	07002218	07002218	Plenum Air Inlet (Slider)
39	07002219	07002219	Plenum Air Inlet (Sedan)
40			Hose, Air Inlet
41			Clamp, Air Inlet Hose



Dash Board Assembly  
15-5

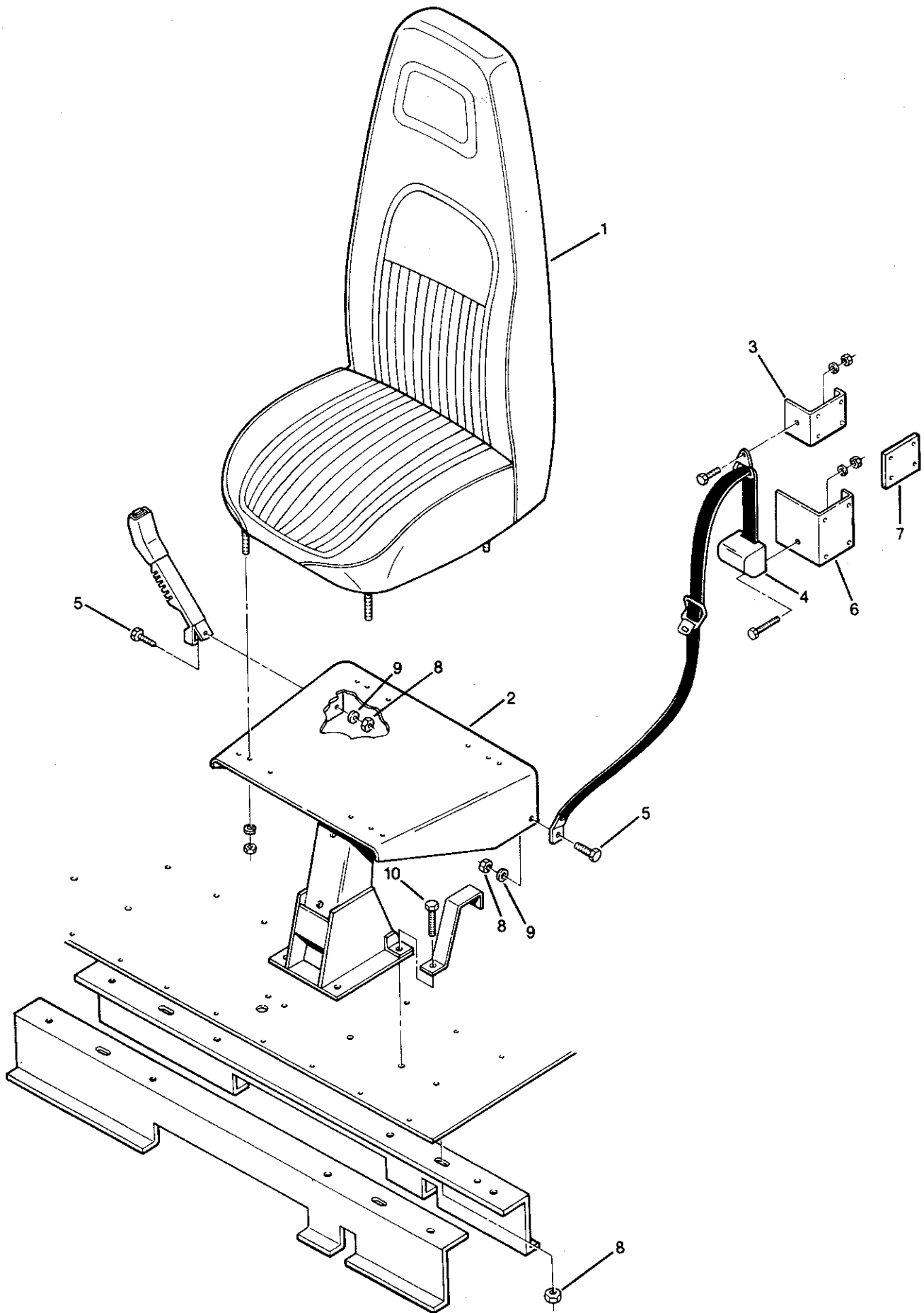
# Aeromate Walk-In Van

Utilimaster Motor Corporation

## Section 15.3

### Dash Board Assembly

Item	1989-1990	1991-1992	Description
1	01801028	01801028	Dash, A-Pillar Left Hand - Sedan Door
1	01801022	01801022	Dash, A-Pillar Left Hand - Sliding Door
1	01801029	01801029	Dash, A-Pillar Right Hand - Sedan Door
1	01801023	01801023	Dash, A-Pillar Right Hand - Sliding Door
2	01800074	01800074	Dash, ABS - Sedan Door
2	01800071	01800071	Dash, ABS - Sliding Door
3	07000009	07000009	Vent, Heater Horizontal
4	16000217	01800040	Plate, Left Hand Switch
5	16000218		Plate, Right Hand Switch (Not Shown)
6	17799959		Plate, Heater Face
7	11301621		Screw, 8 X 1-PH PH TEC Gray
8			Shift Indicator, Gear
9	16000210		Switch, Headlight Rocker
10	16000216		Cover, Blank
11	16000212		Switch, Cargo Light Rocker
12	22100018		Bracket, Dash Attachment (2 1/2 X 1)
12	22100019		Bracket, Dash Attachment (2 1/2 X 3 1/2)
13	01801026	01800075	Cover, Steering Column
14	06604582	06625065	Brace, Lower Dash
15	16000110	16000110	Switch, Rheostat Light
16			Panel, Light Bar
17	17403749	17403749	Radio
18	15400205	15400205	Speedometer with 195-15 Tires
18	15400206	15400206	Speedometer with 215-15 Tires
18		15404000	Speedometer with 215-15 Tires ('92 Only)
19	15400201	15400201	Gauge, Oil
19		15404002	Gauge, Oil ('92 Only)
20	15400202	15400202	Gauge, Voltmeter
20		15404004	Gauge, Voltmeter ('92 Only)
21	15400200	15400200	Gauge, Fuel
21		15404001	Gauge, Fuel ('92 Only)
22	15400203	15400203	Gauge, Temperature
22		15404003	Gauge, Temperature ('92 Only)
23	15400618	15400708	Panel Assembly, Dash - 4 Cylinder
23	15400623	15400623	Panel Assembly, Dash - V-6
23		15400709	Panel Assembly, Dash (9/24/91 on)
23		15400102	Panel Assembly, Dash (5/91 thru 9/91)
24	01000008		Speedometer Cable
25	01101606	<b>Chrysler</b>	Oil Pressure Sending Unit (Not Shown)
26	01102486	NA	Oil Pressure Sending Unit - 4 Cylinder Turbo (Not SHown)
27	01101607	<b>Chrysler</b>	Water Temperature Sending Unit (Not Shown)



Seat & Pedestal Assembly  
16-1



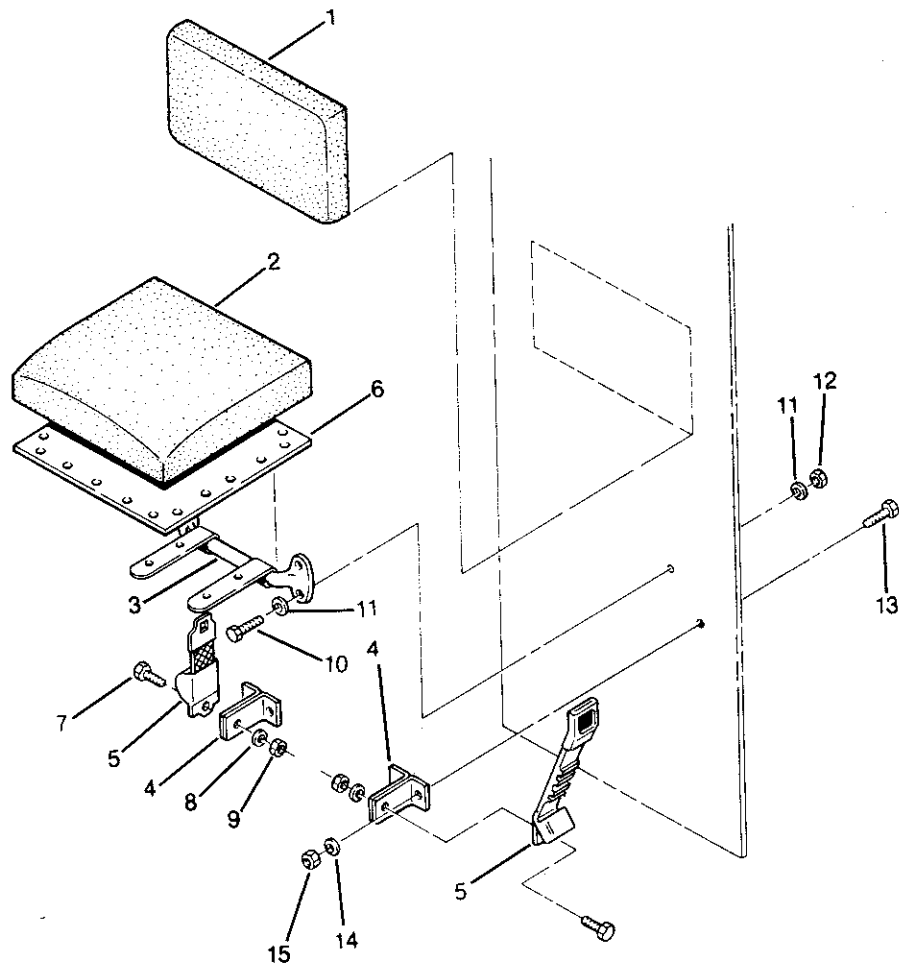
# Aeromate Walk-In Van

Utilimaster Motor Corporation

Section 16.1

Seat & Pedestal Assembly

Item	1989-1990	1991-1992	Description
1	13105637	13105740*	Seat (*High Back)
2	13105656	13105657	Pedestal, Seat
2	13105656	NA	Pedestal, Seat (Until 4/24/90)
3	01700692	01700692	Mounting Plate, Seat Belt D Ring Right W/Swing Door Right
3	01700691	01700691	Mounting Plate, Seat Belt D Ring Left W/Swing Door Left
3	22100062	22100062	Mounting Plate, Seat Belt D Ring W/Slider
4	21101026	21101026	Belt, Seat Harness
4		21100112	Belt, Seat Harness (Late '91)
5			Bolt, 1/2-13 X 1 Gr 5 HHCS (2 per Seat)
6	22100063	22100063	Retractor Mount Slider
7	22001011	22001011	D-Ring Mount Backing Plate (Slider)
7	01700693	01700693	D-Ring Mount Backing Plate (Sedan)
8	11002901	11002901	Nut, Nylock - 1/2"
9	11008160	11008160	Washer, Flat - 1/2"
10	11005930	11005930	Bolt, 1/2-13 x 1-1/2" GR5 HHCS



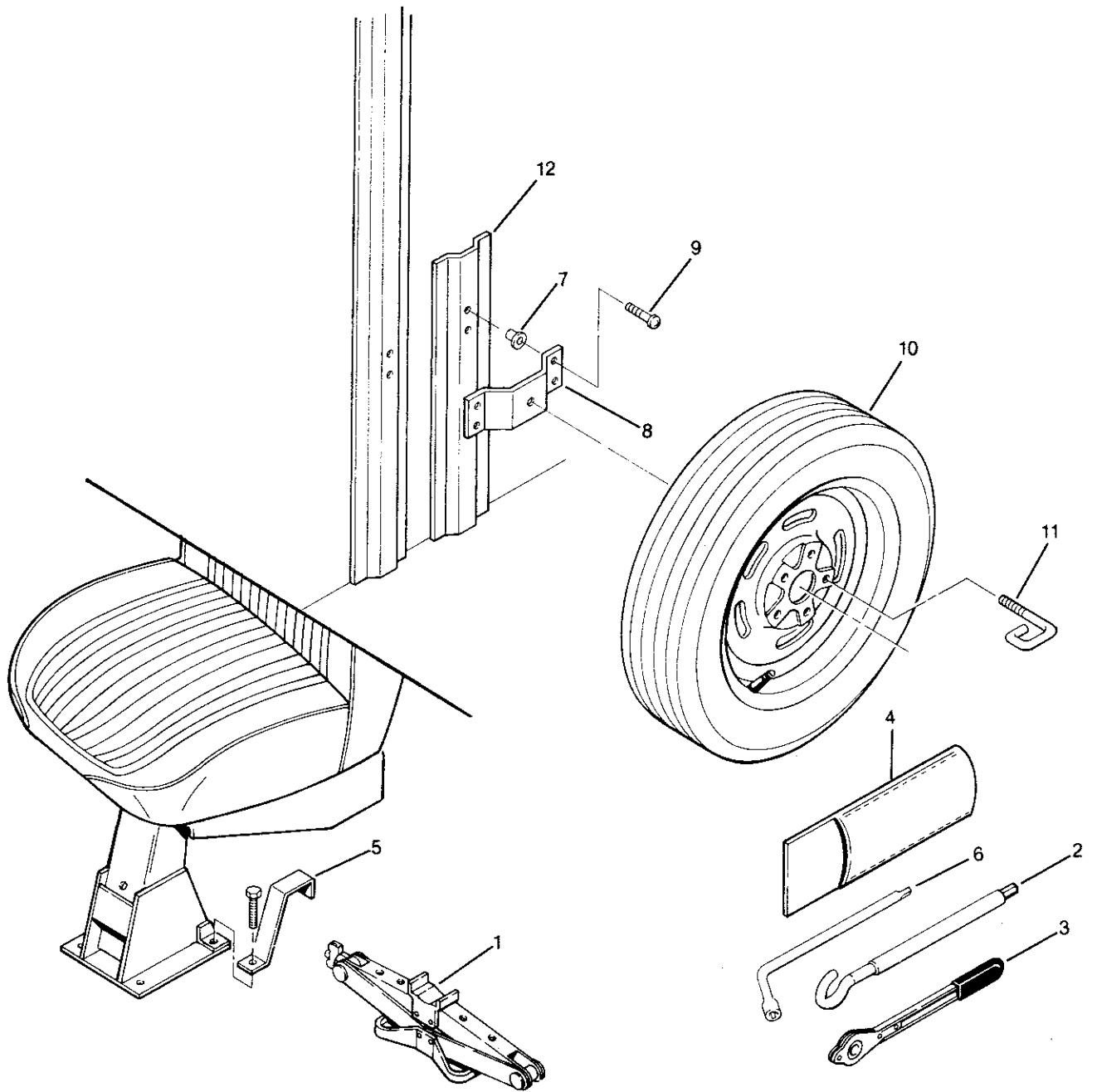
Jump Seat Assembly  
16-3

# Aeromate Walk-In Van

## Utilimaster Motor Corporation

Section 16.2  
Jump Seat Assembly

Item	1989-1990	1991-1992	Description
1	13105950	13105950	Seat Back and Headrest
2	13105951	13105951	Seat Bottom
3	13105952	13105952	Bracket, Jump Seat Steel Forging Irons
4	22100119	22100119	Bracket, Seat Belt Mount
5	21101019	21101019	Seat Belt, Jumpseat
6	06521148	06521148	Jump Seat Bottom Backer
7	11005929	11005929	Bolt, Hex Head 1/2-13 x 1"
8	11000608	11000608	Washer, Spring - 1/2"
9	11000043	11000043	Nut, Centerlock 1/2-13 2-way
10	11005206	11005206	Bolt, Hex Head 3/8-16 x 2-1/2"
11	11008100	11008100	Washer, Flat - 3/8"
12	11000801	11000801	Nut, Centerlock 3/8-16 2-way
13	11004442	11004442	Bolt, Hex 5/16-18 x 1
14	11008153	11008153	Washer, Flat - 5/16"
15	11000040	11000040	Nut, Centerlock 5/16-18 2-way



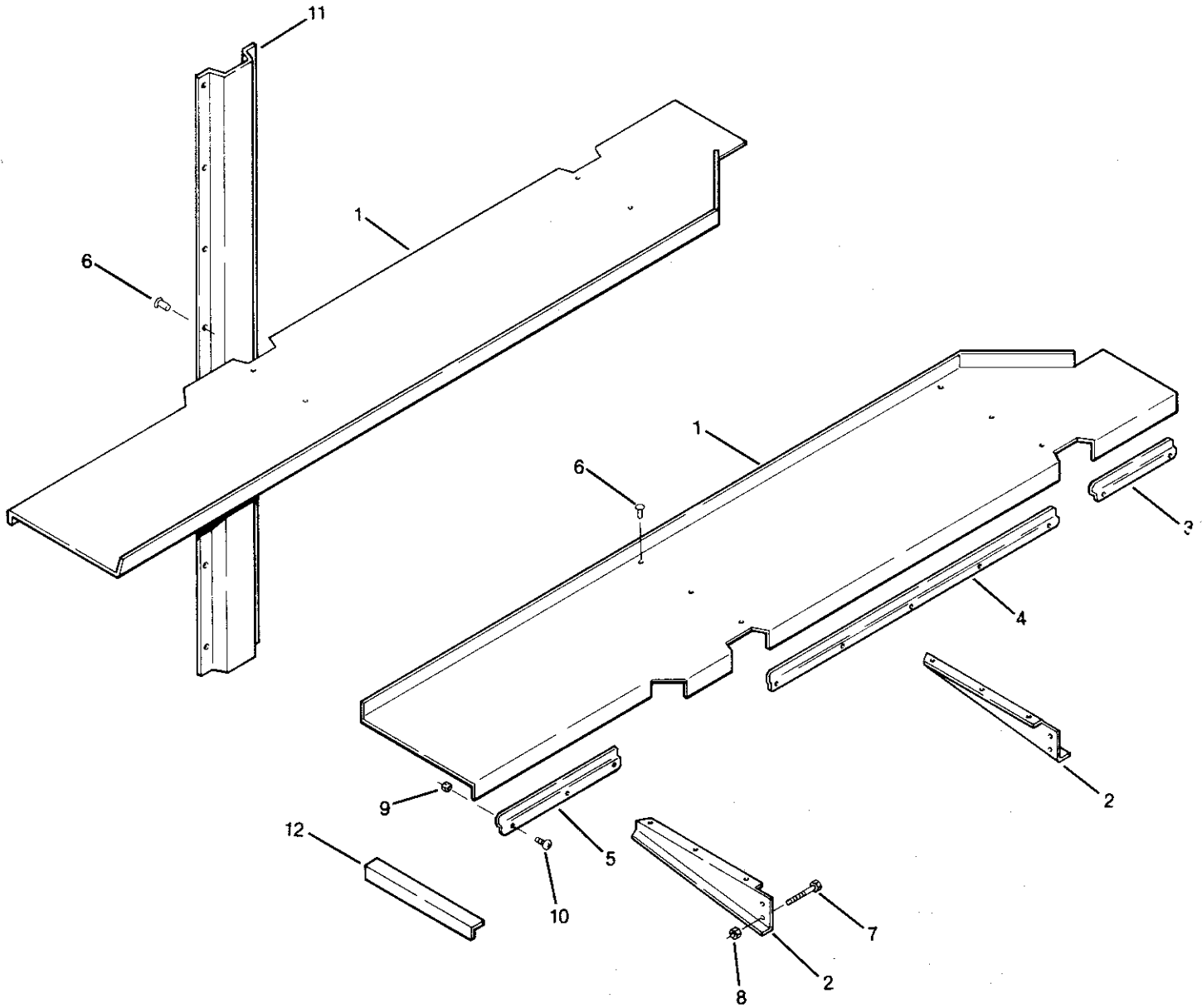
Spare Tire Kit  
17-1

# Aeromate Walk-In Van

Utilimaster Motor Corporation

Section 17.1  
Spare Tire Kit

Item	1989-1990	1991	Description
1	01201965	01201965	Jack, Scissor
2	01201967	01201967	Handle, Jack
3	01201966	01201966	Ratchet, Jack
4	01500000	01500000	Pouch, Tool
5	22100310	22100310	Bracket, Jack Mounting
6	01500042	01500042	Wrench, Lug
7	11000803	11000803	Well-nut 1/4-20
8	22100302	22100302	Bracket, Tire Carrier
9	11305103	11305103	Screw, Phillips Machine 1/4-20 x 1"
10	01500203	01500203	Tire Mounted on Chrysler Rim
11	01502363	01502363	Retainer, Spare Tire - 5/16-18 Thread Size
12	06029776	06029776	Stud, Wall - 24" Long



Cargo Shelving Assembly  
17-3

# Aeromate Walk-In Van

Utilimaster Motor Corporation

Section 17.2  
Cargo Shelving Assembly

Item	Sedan	Slider	Description
1	06850182	06850123	Shelf, Curb Side
1	06850183	06850122	Shelf, Road Side
2	06600008	06600008	Gusset, Right
2	06600007	06600007	Gusset, Left
3	06600052	06600052	Bracket, Shelf Mounting - 14.5"
4	06600054	06600054	Bracket, Shelf Mounting - 42"
5	06600053	06600053	Bracket, Shelf Mounting - 18"
6	11401716	11401716	Rivet, Buck - 1/2"
7	11000307	11000307	Capscrew, 5/16-18 x 4"
8	11006954	11006954	Nut, 5/16-18 UNCT Nylon Insert
9	11009149	11009149	Nutsert - #10-32
10	11303671	11303671	Screw, Pan Head Phillips - #10-32 x 1/2"
11	06020161	06020161	Stud, Sidewall
12	06002050	06002050	Angle, Aluminum (Specify Length)